



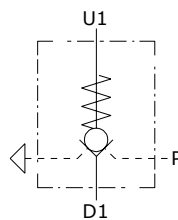
Type VBPSL/PS pilot operated check valves

- External pilot operated type

Technical specifications and diagrams are measured with mineral oil of 46 cSt viscosity at 40°C (104°F) temperature.

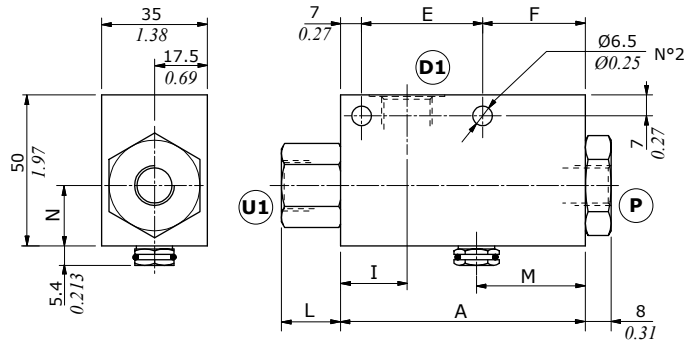
	VBPSL/PS 38	VBPSL/PS 12
Nominal flow	25 l/min (6.6 US gpm)	35 l/min (9.2 US gpm)
Max. pressure	Aluminium body = 210 bar (3050 psi) Steel body = 350 bar (5100 psi)	
Oil leakage	0.25 cm ³ /min (0.015 in ³ /min) at 210 bar (3050 psi)	
Fluid	mineral based oil	
Viscosity	from 10 to 200 cSt	
Max. level of contamination	18/16/13 ISO4406	
Fluid temperature	with NBR seals from -20°C (-4°F) to 80°C (176°F)	
Environmental temperature for working conditions	from -40°C (-40°F) to 100°C (212°F)	
Weight	aluminium	0.53 kg (1.17 lb)
	steel	1.07 kg (2.36 lb)
		0.65 kg (1.43 lb)
		1.22 kg (2.69 lb)

NOTE - For different conditions, please contact Walvoil Sales Dpt.



Dimensions

Valve type	U1 - D1	P
VBPSL/PS 38	G3/8	G1/4
VBPSL/PS 12	G1/2	G1/4
Valve type	U1 - D1	P
VBPSL/PS 38/SAE	SAE8	SAE6
VBPSL/PS 12/SAE	SAE10	SAE6

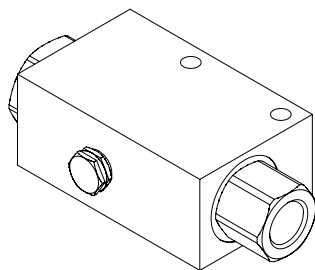


Dimensions are in mm-in

Valve type	A	E	F	I	L	M	N
VBPSL/PS 38	81-3.19	40-1.57	34-1.34	22-0.87	19.5-0.77	36-1.42	20-0.79
VBPSL/PS 38/SAE							
VBPSL/PS 12	90-3.54	50-1.97	33-1.30	32-1.26	33-1.30	35-1.38	30-1.18
VBPSL/PS 12/SAE							

Ordering codes and description composition

Port size
VBPSL/PS 38/p10
 Pilot ratio



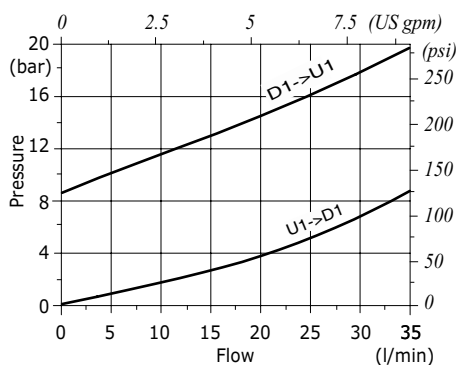
VBPSL/PS complete valves

TYPE	CODE	DESCRIPTION
VBPSL/PS 38/p10	1413021100	Aluminium body, pilot ratio 1:10, G3/8 ports
VBPSL/PS 38/p10/ac	1413022100	Steel body, as previous one
VBPSL/PS 12/p6	1413031100	Aluminium body, pilot ratio 1:6, G1/2 ports
VBPSL/PS 12/p6/ac	1413032100	Steel body, as previous one
VBPSL/PS 38/p10/SAE	1413021200	Aluminium body, pilot ratio 1:10, SAE8 ports
VBPSL/PS 12/p6/SAE	1413031200	Aluminium body, pilot ratio 1:6, SAE10 ports

For other steel body configurations, SAE thread and configurations with FPM (Viton) seals, please contact our Sales Dpt.

Rating diagram

VBPSL/PS 38 pressure drop vs. flow



VBPSL/PS 12 pressure drop vs. flow

