

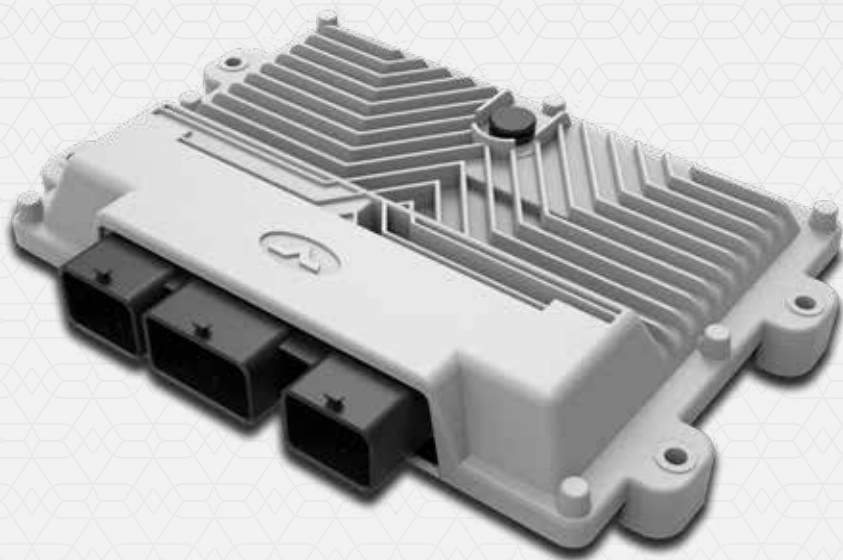


**walvoil**  
MOTION BY PEOPLE

**NEW**

## **CED1200S**

Electronic Control Unit for Safety  
Related Applications



### **C E D 1 2 0 0 S**

- CANbus or Analog
- Hardware Category 2, for applications up to Performance Level D / SIL 2
- Voltage supply: from 8 to 32 V
- Microprocessor-based PWM driver, up 12 proportional section
- Up to 57 general purpose inputs and a 2x5V sensors supply output
- IP67/IPx9K
- Fully programmable through PHC Studio (IEC61131-3 standard) or Mathworks® tools
- Working temperature: from -40 to 85°C (*from -40 to 185°F*)
- Storage temperature: from -40 to 85°C (*from -40 to 185°F*)

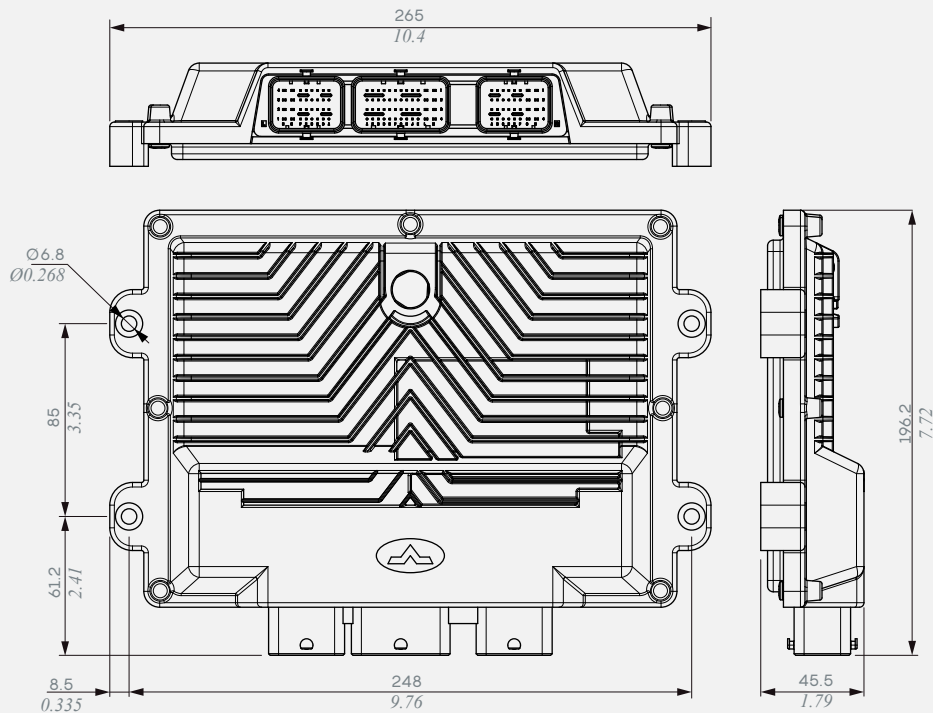


**CED1200S ELECTRONIC CONTROL UNIT**  
FOR SAFETY RELATED APPLICATIONS



The CED1200S is the first component of a new family of control units designed for safety related applications. With Hardware Category 2, it can be used in applications up to Performance Level D / SIL 2. It is programmable according to the IEC 61131-3 standard, not only with Mathworks®, but also with PLC Studio Integrated Development Environment. This robust unit is protected against water and dust ingress (IP66).

All the PWM power outputs are available with current closed loop for applications with proportional pressure reducing valves. The controller is suitable for 12V and 24V applications thanks to the 8 – 32V power supply input range. There are 57 general purpose inputs, several communication ports and 2 x 5V sensors supply output. The controller is qualified following the most rigorous international and customers standards.



**WALVOIL S.P.A.**  
DIREZIONE E COORDINAMENTO INTERPUMP GROUP S.P.A.

Via Adige 13/D. 42124 Reggio Emilia, ITALY  
Ph. +39 0522 932411. Fax +39 0522 300984  
info@walvoil.com. [walvoil.com](http://walvoil.com)

D2WWCE01E  
1<sup>st</sup> edition November 2023

