

## Mechanical spool position switches



- wide output current range (10 mA to 5A);
- heavy duty construction, corrosion resistant;
- long mechanical life ( $10^6$  cycles).

Precision ball switch for spool direction and neutral position detection, with NO and NC circuits in single and redundant configuration.

This switch is available on wide ranges of valves.

Working conditions		8MG
Voltage rating		from 5 to 24 VDC
Current rating		from 10 mA to 5A
Electrical life		$5 \times 10^5$
Mechanical life		$10^6$
Connector type	integrated	Packard Weather-Pack
	with flying leads	Packard Weather-Pack Deutsch DT series - AMP Superseal
Weather protection		IP67
Working temperature		from $-40^{\circ}\text{C}$ to $120^{\circ}\text{C}$ ( <i>from <math>-40^{\circ}\text{F}</math> to <math>248^{\circ}\text{F}</math></i> )

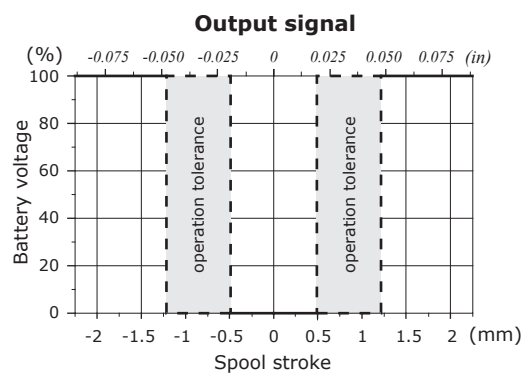
# Spool position switches

## Mechanical spool position switches

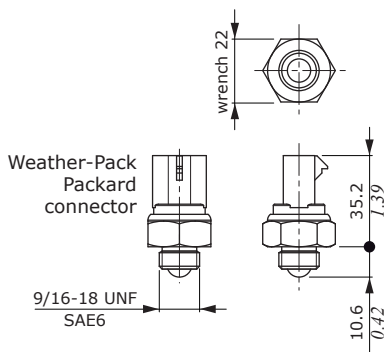
### 8MG type



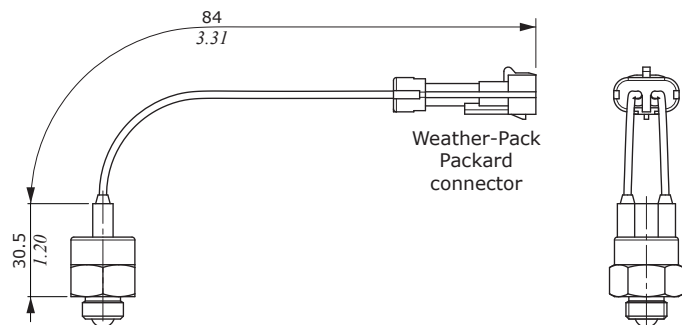
**IMPORTANT:** It is suggested to order the sensors through the controls assembled on the monoblock and sectional valves. These controls, in different configurations, are available on the full range of Walvoil directional valves.



#### Sensor with integrated connector



#### Sensor with connector and flying leads



#### Example of sensor in 8MG control with SD8 working section

