



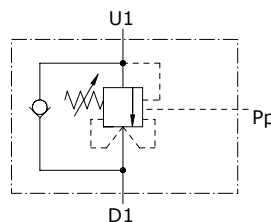
Type VOSLP/CC counterbalance valves

- Single acting
- Relief compensated

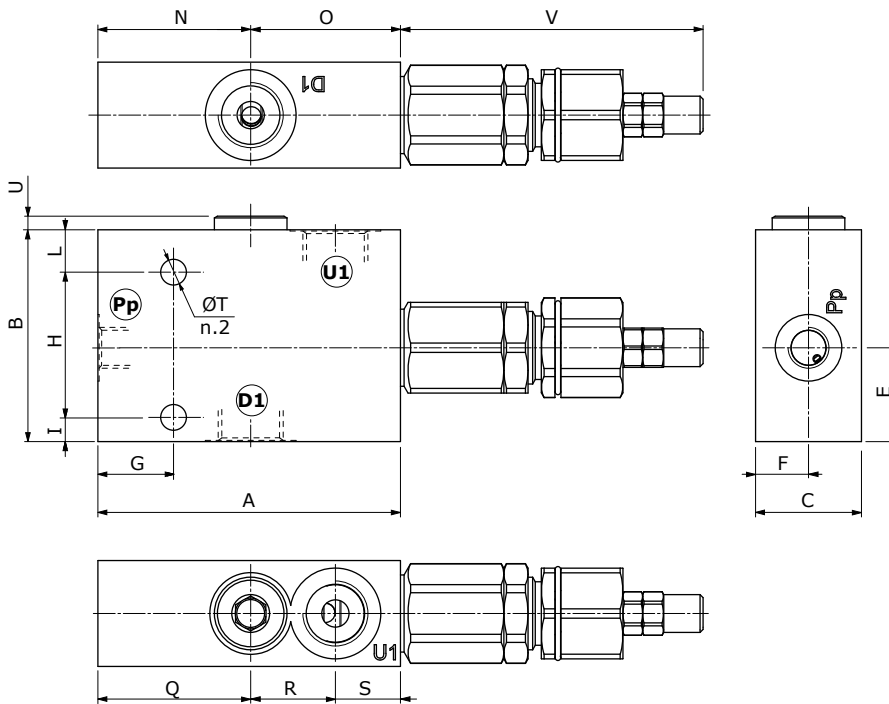
Technical specifications and diagrams are measured with mineral oil of 46 cSt viscosity at 40°C (104°F) temperature.

| | VOSLP/CC 38 | VOSLP/CC 12 | VOSLP/CC 34 | VOSLP/CC 100 | |
|--|--|---------------------------|----------------------------|----------------------------|-------------------|
| Nominal flow | 35 l/min (9.2 US gpm) | 70 l/min (18.5 US gpm) | 100 l/min (26.4 US gpm) | 180 l/min (47.6 US gpm) | |
| Max. pressure | Aluminium body = 210 bar (3050 psi) Steel body = 350 bar (5100 psi) | | | | |
| Oil leakage | 0.25 cm ³ /min - 0.015 in ³ /min. (5 drops) at 210 bar - 3050 psi at 80% of pressure setting | | | | |
| Fluid | mineral based oil | | | | |
| Viscosity | from 10 to 200 cSt | | | | |
| Max. level of contamination | 18/16/13 ISO4406 | | | | |
| Fluid temperature | with NBR seals from -20°C (-4°F) to 80°C (176°F) | | | | |
| Environmental temp. for working conditions | from -40°C (-40°F) to 100°C (212°F) | | | | |
| Weight | <i>aluminium</i> | 1.01 kg (2.23 lb) | 1.13 kg (2.49 lb) | 1.83 kg (4.03 lb) | 2.98 kg (6.57 lb) |
| | <i>steel</i> | 1.70 kg (3.75 lb) | 2.01 kg (4.43 lb) | 3.37 kg (7.43 lb) | 6.26 kg (13.8 lb) |

NOTE - For different conditions, please contact Walvoil Sales Dpt.



Dimensions



| Valve type | D1 | U1 | Pp |
|--------------|------|------|------|
| VOSLP/CC 38 | G3/8 | G1/4 | G1/4 |
| VOSLP/CC 12 | G1/2 | G1/4 | G1/4 |
| VOSLP/CC 34 | G3/4 | G1/4 | G1/4 |
| VOSLP/CC 100 | G1" | G1/4 | G1/4 |

Dimensions are in mm-in

| Valve type | A | B | C | E | F | G | H | I | L | N | O | Q | R | S | ØT | V |
|--------------|-------------|-------------|------------|------------|--------------|------------|------------|-------------|-------------|--------------|--------------|--------------|------------|--------------|--------------|---------------|
| VOSLP/CC 38 | 98 3.86 | 65 2.56 | 30 1.18 | 27 1.06 | 15 0.59 | 27 1.06 | 40 1.57 | 8 0.315 | 17 0.70 | 47 1.85 | 51 2.01 | 47 1.85 | 29 1.14 | 22 0.87 | 8.5 0.335 | 92.2 3.63 |
| VOSLP/CC 12 | 100 3.94 | 70 2.76 | 35 1.38 | 31 1.22 | 17.5 0.69 | 25 0.98 | 48 1.89 | 8 0.315 | 14 0.551 | 50.5 1.99 | 49.5 1.95 | 50.5 1.99 | 28 1.10 | 21.5 0.85 | 8.5 0.335 | 99.7 3.93 |
| VOSLP/CC 34 | 120 4.72 | 90 3.54 | 40 1.57 | 36 1.42 | 20 0.79 | 32 1.26 | 70 2.76 | 10 0.394 | 10 0.394 | 55 2.16 | 65 2.56 | 55 2.17 | 35 1.38 | 30 1.18 | 10.5 0.41 | 101.7 4.00 |
| VOSLP/CC 100 | 140 5.51 | 100 3.94 | 60 2.36 | 37 1.46 | 30 1.18 | 30 1.18 | 80 3.15 | 10 0.394 | 10 0.394 | 64 2.52 | 76 2.99 | 64 2.52 | 46 1.81 | 30 1.18 | 10.5 0.41 | 101.7 4.00 |

Ordering codes

VOSLP/CC complete valves

TYPE: **VOSLP/CC 38/TR.S.p4** CODE: 1534921100

DESCRIPTION: Aluminium body, G3/8 ports, pilot ratio 1:4, range 50-350 bar (725-5075 psi), std setting 280 bar (4060 psi) @ 5 l/min (1.32 US gpm)

TYPE: **VOSLP/CC 12/TR.S.p7** CODE: 1534931100

DESCRIPTION: Aluminium body, G1/2 ports, pilot ratio 1:7, range 50-350 bar (725-5075 psi), std setting 280 bar (4060 psi) @ 5 l/min (1.32 US gpm)

TYPE: **VOSLP/CC 34/TR.S.p7** CODE: 1534941100

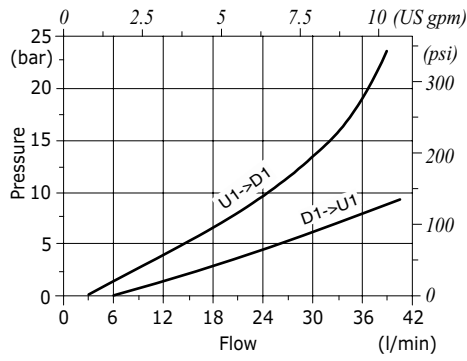
DESCRIPTION: Aluminium body, G3/4 ports, pilot ratio 1:7, range 50-350 bar (725-5075 psi), std setting 280 bar (4060 psi) @ 5 l/min (1.32 US gpm)

TYPE: **VOSLP/CC 100/TR.S.p7** CODE: 1534951100

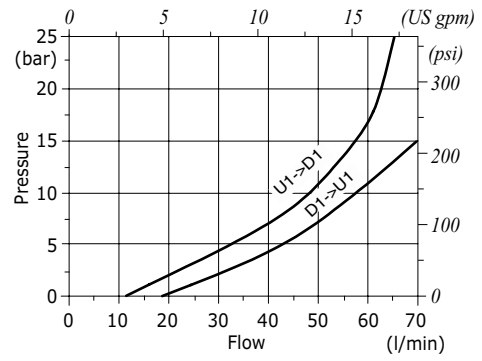
DESCRIPTION: Aluminium body, G1" ports, pilot ratio 1:7, range 50-350 bar (725-5075 psi), std setting 280 bar (4060 psi) @ 5 l/min (1.32 US gpm)

For other configurations and steel body, please contact our Sales Dept.

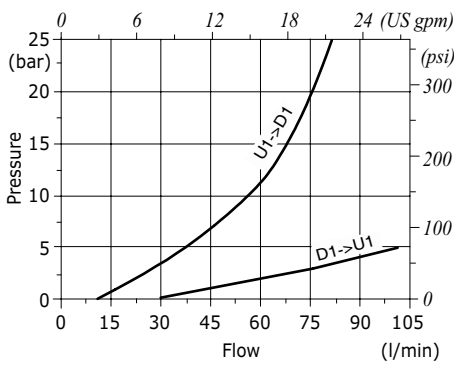
VOSLP/CC 38 pressure drop vs. flow from D1->U1 and U1->D1



VOSLP/CC 12 pressure drop vs. flow from D1->U1 and U1->D1



VOSLP/CC 34 pressure drop vs. flow from D1->U1 and U1->D1



VOSLP/CC 100 pressure drop vs. flow from D1->U1 and U1->D1

