



Type VIA/DSL automatic reversing valves

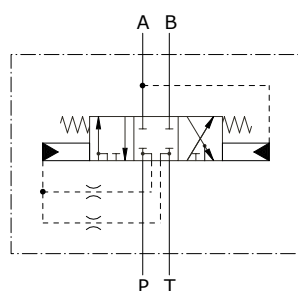
- Face mounting cetop 5
- Cast iron body

Technical specifications and diagrams are measured with mineral oil of 46 cSt viscosity at 40°C (104°F) temperature.

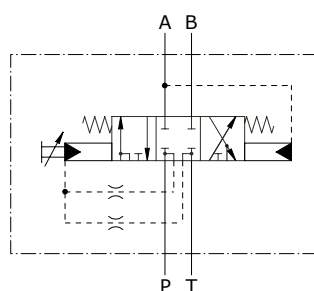
VIA/DSL 10-12

Nominal flow	60 l/min (15.9 US gpm)
Min. flow	10 l/min (2.6 US gpm)
Max. pressure	210 bar (3050 psi)
Max. reversing frequency	30/min
Fluid	mineral based oil
Viscosity	from 10 to 200 cSt
Max level of contamination	18/16/13 ISO4406
Fluid temperature	with NBR seals from -20°C (-4°F) to 80°C (176°F)
Environmental temp. for working conditions	from -40°C (-40°F) to 100°C (212°F)
Weight	2.2 kg (4.85 lb)
	with stroke limiter configuration: 2.3 kg (5.07 lb)

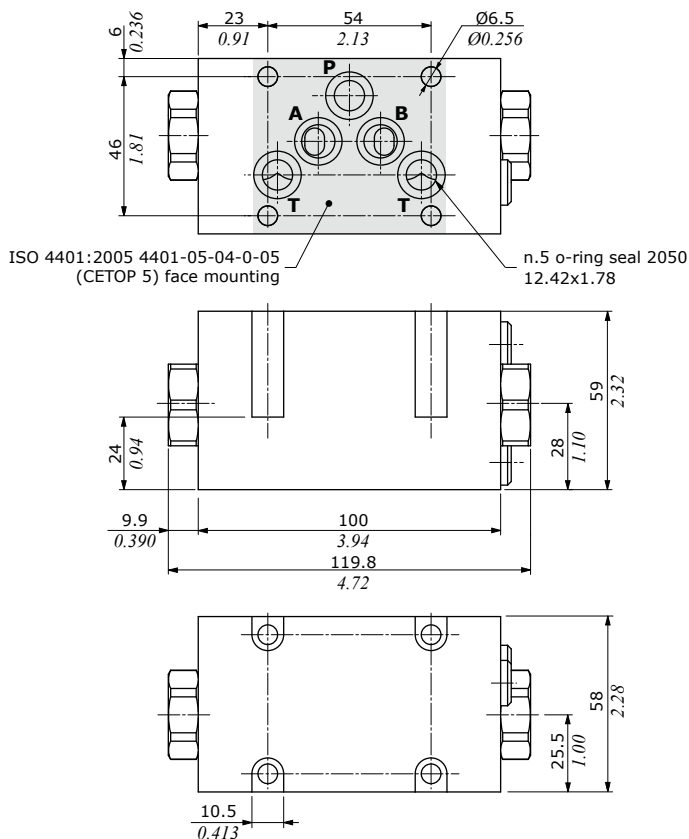
NOTE - For different conditions, please contact Walvoil Sales Dpt.



With stroke limiter

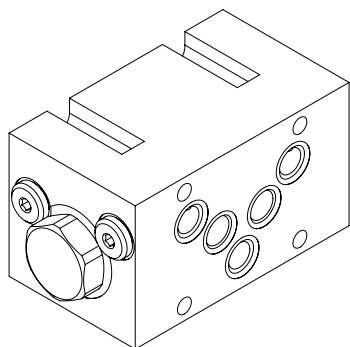


Dimensions



Ordering codes and description composition

VIA/DSL 10-12/gh



Complete valves

TYPE: **VIA/DSL 10-12/gh**

CODE: 1915033903

DESCRIPTION: Cast iron body, CETOP 5 flange

TYPE: **VIA/DSL 10-12/gh pass.magg. con fine corsa**

CODE: 1915033910

DESCRIPTION: cast iron body, increased spool, with stroke limiter
For configurations with FPM (Viton) seals and SAE threads, please contact our Sales Dpt.