



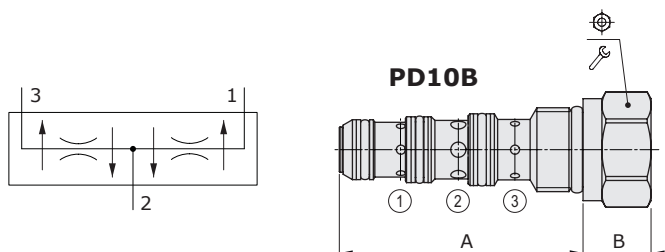
PD... type flow control pressure compensated valves - 3 way

- Flow divider-combiners
- From SAE10 to SAE16 cavities

Technical specifications and diagrams are measured with mineral oil of 46 cSt viscosity at 40°C (104°F) temperature.

	PD10B/110B	PD10B/120B	PD10B/130B	PD10B/140B	PD10B/150B	PD12B/100B	PD16C/110B
Flow range	4-12 l/min (1-3 US gpm)	12-20 l/min (3-5 US gpm)	20-28 l/min (5-7 US gpm)	28-36 l/min (7-9 US gpm)	36-44 l/min (9-12 US gpm)	40-75 l/min (10-20 US gpm)	75-150 l/min (20-40 US gpm)
Max. pressure	210 bar (3045 psi)						
Maximum division error	± 5% of the oil flow in 1 or 3 and 120 bar -1750 psi- pressure difference between 1 and 3. (Division rate 50%÷50%)						
Fluid	mineral based oil						
Viscosity	10-200 cSt						
Max level of contamination	20/18/14 ISO4406						
Fluid temperature	with NBR seals with FPM seals		from -20°C (-4°F) to 80°C (176°F) from -20°C (-4°F) to 100°C (212°F)				
Environmental temp. for working conditions	from -20°C (-4°F) to 50°C (122°F)						
Cavity	SAE 10/4	SAE 10/4	SAE 10/4	SAE 10/4	SAE 10/4	SAE 12/4	SAE 16/4
Weight	0.20 kg (0.44 lb)	0.20 kg (0.44 lb)	0.20 kg (0.44 lb)	0.20 kg (0.44 lb)	0.20 kg (0.44 lb)	0.30 kg (0.66 lb)	0.55 kg (1.21 lb)

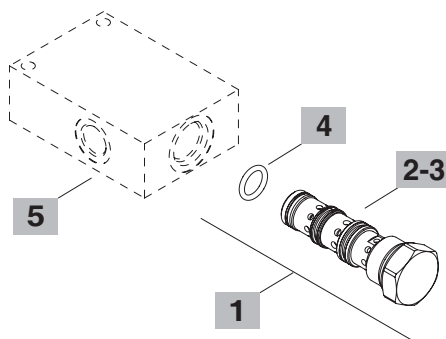
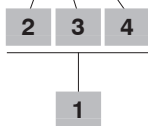
NOTE - For different conditions, please contact Walvoil Sales Dpt.



Valve type	A		B		⊕	⌘	Nm	lbft
	mm	in	mm	in				
PD10B	64.5	2.54	18	0.71	27	50	37	
PD12B	83	3.27	12	0.47	32	80	59	
PD16C	104	4.09	17	0.69	41	100	74	

Ordering codes and description composition

PD10B/110B



4 Cartridges

TYPE CODE DESCRIPTION

SAE cavity 10/4

- PD10B/110B 0PD10002004 Flow range 1
- PD10B/120B 0PD10002005 Flow range 2
- PD10B/130B 0PD10002006 Flow range 3
- PD10B/140B 0PD10002007 Flow range 4
- PD10B/150B 0PD10002008 Flow range 5

SAE cavity 12/4

PD12B/100B 0PD12002001 Range 40÷75 l/min (10-20 US gpm)

SAE cavity 16/4

PD16C/100B 0PD16002003 Range 75÷150 l/min (20-40 US gpm)

3 Seals

TYPE DESCRIPTION

- B** NBR (Buna) Std configuration without addition
- V** For valve with **FPM (Viton)** o-ring seals, contact Sales Dept.

6 Valve body

TYPE CODE DESCRIPTION

- SAE 10/4-SAE8** 3CC1040K11 Aluminium body for cavity 10 valve, SAE8 std thread
- SAE 12/4-SAE10** 3CC1240L11 Aluminium body for cavity 12 valve, SAE10 std thread
- SAE 16/4-SAE16** 3CC1640N11 Aluminium body for cavity 16 valve, SAE16 std thread

Note: aluminium body can stand up to 210 bar (3050 psi)
For steel bodies or different threading see from page 219

1 Dividing-Combining ratio

TYPE DESCRIPTION

- 1 50÷50

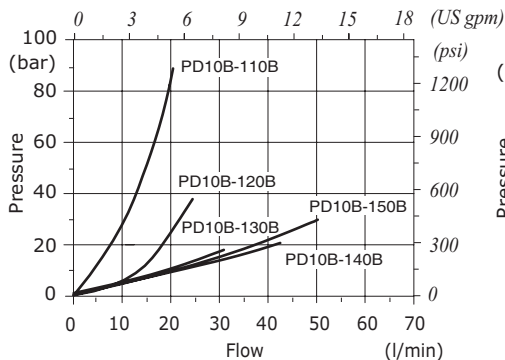
2 Flow range

TYPE DESCRIPTION

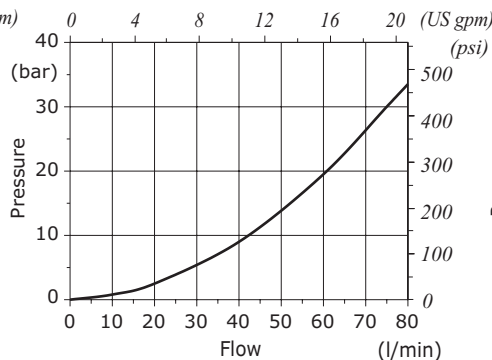
- 1 4÷12 l/min (1-3 US gpm)
- 2 12÷20 l/min (3-5 US gpm)
- 3 20÷28 l/min (5-7 US gpm)
- 4 28÷36 l/min (7-9 US gpm)
- 5 36÷44 l/min (9-12 US gpm)

Rating diagrams

PD10B
pressure drop vs flow
from 2->1/3 and from 1/3->2



PD12B
pressure drop vs flow
from 2->1/3 and from 1/3->2



PD16C
pressure drop vs flow
from 2->1/3 and from 1/3->2

