



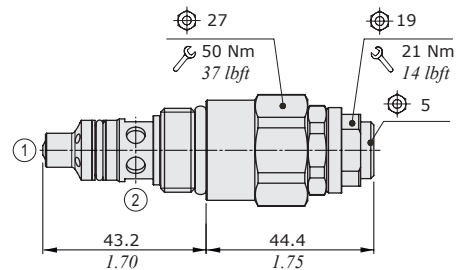
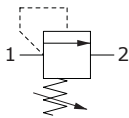
## MC10M type pressure relief valve - 2 way

- Direct acting
- Poppet type

Technical specifications and diagrams are measured with mineral oil of 46 cSt viscosity at 40°C (104°F) temperature.

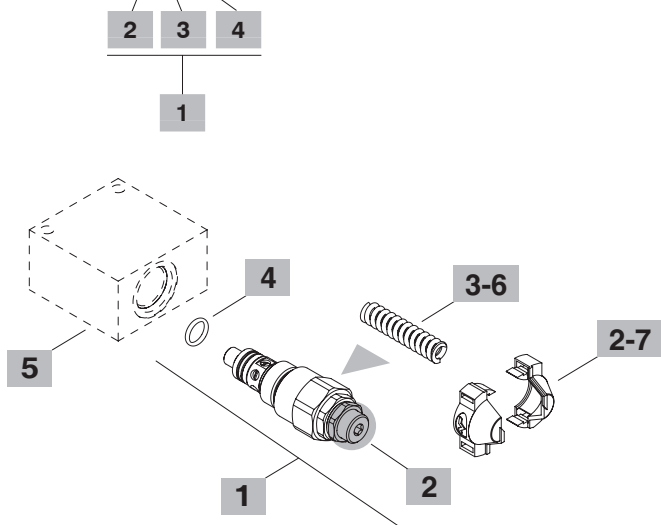
MC10M		
Nominal flow		70 l/min (18.5 US gpm)
Max. pressure		260 bar (3770 psi)
Oil leakage	80% of max. pressure setting	4 cm <sup>3</sup> /min (0.24 in <sup>3</sup> /min)
Fluid		mineral based oil
Viscosity		10-200 cSt
Max level of contamination		20/18/14 ISO4406
Fluid temperature	with NBR seals with FPM seals	from -20°C (-4°F) to 80°C (176°F) from -20°C (-4°F) to 100°C (212°F)
Environmental temp. for working conditions		from -20°C (-4°F) to 50°C (122°F)
Cavity		SAE 10/2 A
Weight		0.18 kg (0.396 lb)

NOTE - For different conditions, please contact Walvoil Sales Dpt.



### Ordering codes and description composition

#### MC10M/OY1B



#### 3 Pressure range

Standard setting is referred to 5 l/min (1.32 US gpm) flow

TYPE	DESCRIPTION
<b>1</b>	Pressure range 10÷60 bar (145÷870 psi); Std. setting 50 bar (725 psi)
<b>2</b>	Pressure range 40÷110 bar (580÷1595 psi); Std. setting 80 bar (1160 psi)
<b>3</b>	Pressure range 110÷220 bar (1595÷3190 psi); Std. setting 175 bar (2540 psi)
<b>4</b>	Pressure range 200÷260 bar (2900÷3770 psi); Std. setting 220 bar (3190 psi)

#### 4 Seals

TYPE	DESCRIPTION
<b>B</b>	<b>NBR (Buna)</b> o-ring seals, std configuration
<b>V</b>	<b>FPM (Viton)</b> o-ring seals, contact Sales Dept.

#### 5 Valve body

TYPE	CODE	DESCRIPTION
<b>SAE 10/2-SAE8</b>	3CC1020K11	Aluminium body for cavity 10 valve, SAE8 std thread

Note: aluminium body can stand up to 210 bar (3050 psi)  
For steel bodies or different threading see from page 215

#### 1 Cartridges

TYPE	CODE	DESCRIPTION
<b>MC10M/OY1B</b>	OMC10002026	Pressure range <b>1</b>
<b>MC10M/OY2B</b>	OMC10002027	Pressure range <b>2</b>
<b>MC10M/OY3B</b>	OMC10002028	Pressure range <b>3</b>
<b>MC10M/OY4B</b>	OMC10002029	Pressure range <b>4</b>

#### 2 Adjustments

TYPE	DESCRIPTION
<b>Y</b>	With screw
<b>X</b>	Valve set with antitampering cap (part code: see point <b>7</b> )

#### 6 Springs

TYPE	CODE	DESCRIPTION
<b>1</b>	3ML1114500	Pressure range <b>1</b> - no band
<b>2</b>	3ML1114502	Pressure range <b>2</b> - blue band
<b>3</b>	3ML1114501	Pressure range <b>3</b> - red band
<b>4</b>	3ML1114503	Pressure range <b>4</b> - green band

#### 7 Accessories

TYPE	CODE	DESCRIPTION
-	4COP126301	Antitampering cap (x2)

### Rating diagrams

**MC10M pressure vs. flow**  
Std. setting at 5 l/min (1.32 US gpm)

