

DVS20

SECTIONAL VALVE



TECHNICAL CATALOGUE

A member of



 **walvoil**
FLUID POWER E| MOTION

1st edition DVS20.00

*This catalogue shows the product in the most standard configurations.
Please contact our Sales Dpt. for more detailed information or special requests.*

WARNING!

*All specifications of this catalogue refer to the standard product at this date.
Walvoil, oriented to a continuous improvement, reserves the right to
discontinue, modify or revise the specifications, without notice.*

**WALVOIL IS NOT RESPONSIBLE FOR ANY DAMAGE CAUSED BY AN
INCORRECT USE OF THE PRODUCT.**



Applications

DVS20 is a new family in the broad range of Hydrocontrol sectional valves. The valve is specially indicated for Garbage Refuse Trucks, Hook loaders and Wheel loaders. The innovative design allows it to manage very high flows comparing to the overall dimensions. This valve has high control characteristics, smooth and precise in operation.





QUICK REFERENCE GUIDE

| GENERAL SPECIFICATION | D9 | D3M | DVS10 | D4 | D6 | D16 | D12 | DVS20 | D20 | D25 | D40 |
|-----------------------------------|------|------|-------|------|------|------|------|-------|------|------|------|
| Working sections number | 1-12 | 1-12 | 1-12 | 1-12 | 1-12 | 1-12 | 1-12 | 1-12 | 1-12 | 1-12 | 1-10 |
| CIRCUIT | | | | | | | | | | | |
| Parallel | • | • | • | • | • | • | • | • | • | • | • |
| Series | • | • | • | • | • | • | • | • | • | • | |
| Tandem | • | • | • | • | • | • | • | • | • | | |
| Parallel circuit stroke (mm) | 6 | 5 | 6 | 6 | 7 | 7 | 9,5 | 9,5 | 9,5 | 12 | 15 |
| Series circuit stroke (mm) | 6 | 5 | 6 | 6 | 5 | 7 | 6,5 | | 6,5 | 8,5 | |
| Float spool extra stroke (mm) | 5 | 5 | 5 | 5,5 | 6 | 7 | 7 | 7 | 7 | 9,5 | 10 |
| Spools pitch (mm) | 31 | 38 | 35 | 40 | 46 | 46 | 56 | 56 | 64 | 75 | 91 |
| RATED FLOW | | | | | | | | | | | |
| Max recommended flow rate (l/min) | 35 | 55 | 45 | 80 | 100 | 150 | 180 | 250 | 250 | 380 | 700 |
| Max recommended flow rate (GPM) | 10 | 15 | 12 | 22 | 27 | 40 | 48 | 67 | 67 | 100 | 185 |
| RATED PRESSURE | | | | | | | | | | | |
| Max working pressure (bar) | 350 | 350 | 350 | 350 | 350 | 350 | 350 | 250 | 350 | 350 | 350 |
| Max working pressure (PSI) | 5000 | 5000 | 5000 | 5000 | 5000 | 5000 | 5000 | 4000 | 5000 | 5000 | 5000 |

| OPTION CHART | D9 | D3M | DVS10 | D4 | D6 | D16 | D12 | DVS20 | D20 | D25 | D40 |
|---|----|-----|-------|----|----|-----|-----|-------|-----|-----|-----|
| Direct acting pressure relief valve | • | • | • | • | | | | | | | |
| Pilot operated pressure relief valve | | • | | • | • | • | • | • | • | • | • |
| 2 stage pilot operated relief valve | | • | | • | • | • | • | | • | • | • |
| Externally piloted valve | • | • | • | • | • | • | • | | • | • | • |
| Solenoid dump valve (12 Vdc) | • | • | • | • | • | • | • | | | | |
| Solenoid dump valve (24 Vdc) | • | • | • | • | • | • | • | | | | |
| Main anticavitation check valve | | • | | • | • | • | • | • | • | • | • |
| Clamping valve | | • | • | • | | | | | | | |
| SPOOL ACTUATION | | | | | | | | | | | |
| Manual control | • | • | • | • | • | • | • | • | • | • | • |
| Without lever | • | • | • | • | • | • | • | • | • | • | • |
| 90° joystick control | | • | • | • | • | • | | | | | |
| Hydraulic control | • | • | • | • | • | • | • | • | • | • | • |
| Direct electric control (12-24 Vdc) | | • | | • | | | | | | | |
| SPOOL RETURN ACTION | | | | | | | | | | | |
| Spring return | • | • | • | • | • | • | • | • | • | • | • |
| Detent in A - in B - in A/B | • | • | • | • | • | • | • | • | • | • | • |
| Detent in 4 th position | • | • | • | • | • | • | • | • | • | • | • |
| Arrangement for dual control | • | • | | • | • | • | • | | • | | |
| Hydraulic load limit | • | • | | • | • | • | | | | | |
| Pneumatic control ON - OFF | | • | • | • | • | • | • | • | • | | |
| Proportional pneumatic control | | • | • | • | • | • | • | • | • | | |
| Electrical load limit | • | • | | • | • | • | | | | | |
| Electrohydraulic control ON-OFF (12-24 Vdc) | | • | • | • | • | • | • | • | • | | |
| Electrohydraulic control PROP. (12-24 Vdc) | | • | • | • | • | • | • | • | • | | |
| Electropneumatic control (12-24 Vdc) | | • | • | • | • | • | • | | • | | |
| AUXILIARY VALVES | | | | | | | | | | | |
| Antishock valve | • | • | • | • | • | • | • | • | • | • | • |
| Anticavitation valve | • | • | • | • | • | • | • | • | • | • | • |
| Combined valve | • | • | • | | • | • | • | | • | • | • |
| Pilot combined valve | | | | | | • | | • | • | • | • |



GENERAL INDEX

| | |
|-----------|--|
| 4 | General specifications Standard working conditions Fluid options |
| 5 | Order example Standard thread Tie-rod kit classification Painting |
| 7 | Dimensions |
| 8 | Typical curves Pressure drop (P - T) Pressure drop (P - A/B) Pressure drop (A/B - T) |
| 9 | Inlet Section Order example Inlet side classification Valve identification Valve arrangement Inlet position |
| 12 | Working section Order example Spool identification Spool actuation classification Spool return action classification - Spring load values Work section identification Auxiliary valves identification |
| 23 | Outlet section (version 1 outlet) Order example Outlet section (HPCO version outlet) Order example - HPCO version outlet Carry-over connection (HPCO) |
| 27 | DVS20 Spare parts list Gasket kits |
| 30 | Installation |
| 33 | General conditions and patents |



GENERAL SPECIFICATIONS

Standard working conditions

| Description | Value |
|--|---|
| Ambient operating temperature range | -40°C / +60°C |
| Kinematic viscosity range | 10 ÷ 300 cSt |
| Max contamination level | 9 (NAS 1638) - 20/18/15 (ISO 4406:1999) |
| Recommended filtration level | b10 > 75 (ISO 16889:2008) |
| Internal filter (on electroproportional valves pilot line) | 30 µm |

All information and diagrams in this catalogue refer to a mineral base oil VG46 at 50°C temperature (32 cSt kinematic viscosity)

Fluid options

| Types of fluid (according to ISO 6743/4) Oil and Solutions | Temperature (°C) | | Compatible gasket |
|---|------------------|-----|-------------------|
| | min | max | |
| Mineral Oil HL, HM (or HLP acc. to DIN 51524) | -25 | +80 | NBR |
| Oil in water emulsions HFA | +5 | +55 | NBR |
| Water in oil emulsions HFB | +5 | +55 | NBR |
| Polyglycol-based aqueous solution HFC | -10 | +60 | NBR |

For special applications and different fluids, please call our Technical Department.



ORDER EXAMPLE

DVS20/1: **IL 009 150 C G06 W001A H004 F001A RP G06 05 PA 01 PB 100 TJ C G07**

TYPE: _____
DVS20: product type
/1: working section number

1) INLET ARRANGEMENT: pag. 9

- 1.1 **IR 009** inlet side and valve type
- 150** setting (bar)
- 1.2 **A G06** inlet position and available thread type

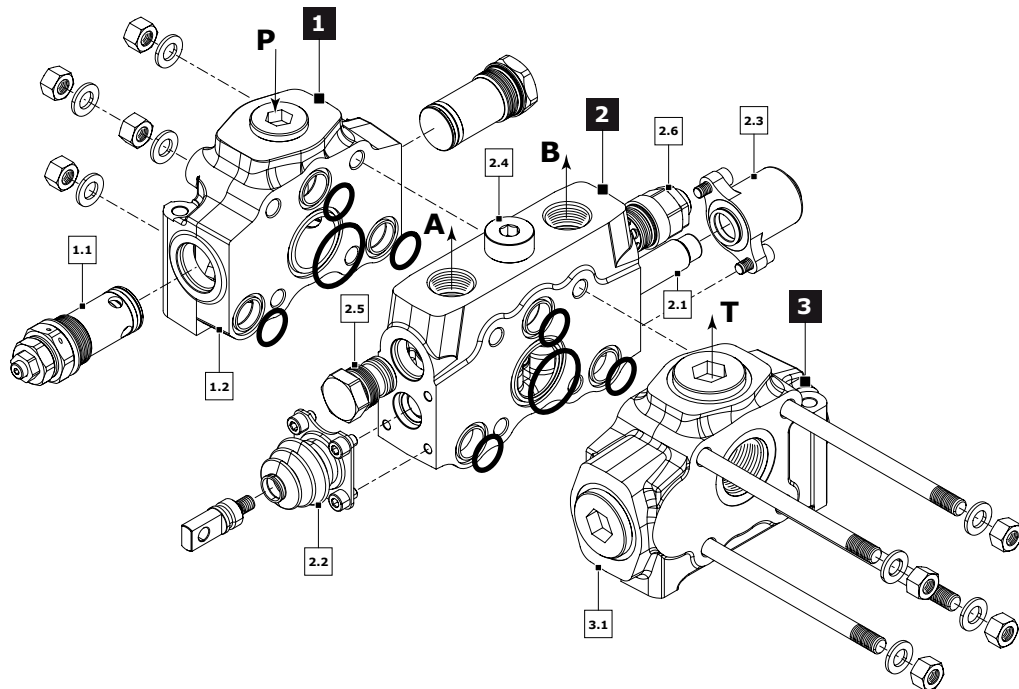
2) WORK SECTION ARRANGEMENT: pag. 12

- 2.1 **W001A** spool type
- 2.2 **H004** spool actuation type
- 2.3 **F001A** spool return action
- 2.4 **RP G06** type and thread section
- 2.5 **05 PA** auxiliary valve (port A)
- 2.6 **01 PB 100** auxiliary valve (port B)

3) OUTLET ARRANGEMENT: pag. 23

- 3.1 **TJ** outlet type
- C G07** outlet position and available thread type

Ordering row 2 must be repeated for every work section



Standard thread

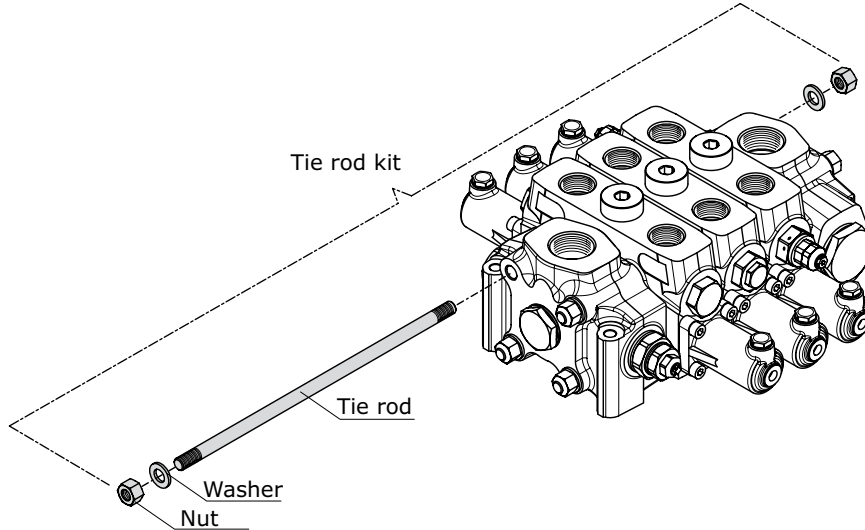
The connection ports size is indicated by an ordering code common for all Hydrocontrol products. Following table shows all available connections; for ordering code refer to table on page 32.

| Ports | BSP (ISO - 228) | Code | UN-UNF (ISO - 725) | Code |
|---------------------------------------|-----------------|------------|--------------------|------------|
| Inlet Port (P) | G 1 | G06 | 1"5/16 - 12 UNF | U06 |
| Ports (A - B) | G 1 | G06 | 1"5/16 - 12 UNF | U06 |
| Outlet (T) - Carry over (HPCO) | G 1"1/4 | G07 | 1"5/8 - 12 UNF | U07 |
| Hydraulic Pilot | G 1/4 | G02 | 9/16" - 18 UNF | U02 |
| Pneumatic Pilot | G 1/8 | - | NPTF 1/8-27 | - |



Tie-rod kit classification (appendix "A")

Tie rod kit allows the correct assembly of sectional valves. Tie rod's length depends on the number of sections; each valve is assembled with tie rod kits including a tie rod, two nuts and two washers. DVS20 requires 4 tie-rod kits.



| Tie rod kit | Order Code | Length (mm) | Clamping Torque (Nm) | Quantity |
|-------------|------------|-------------|----------------------|----------|
| DVS20/1 | 300188004 | 232 | 70 | 4 |
| DVS20/2 | 300188005 | 288 | | |
| DVS20/3 | 300188006 | 344 | | |
| DVS20/4 | 300188007 | 400 | | |
| DVS20/5 | 300188008 | 456 | | |
| DVS20/6 | 300108009 | 512 | | |

Painting

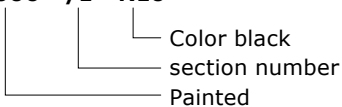
On request, all Hydrocontrol valves can be delivered painted (RAL 9005 black primer).

Order example of DVS20/1 painted:

DVS20/1
IL 009 150 A G06
W001A H004 F001A RP G06 05 PA 01 PB 120
TJ A G07
P006/1 N10

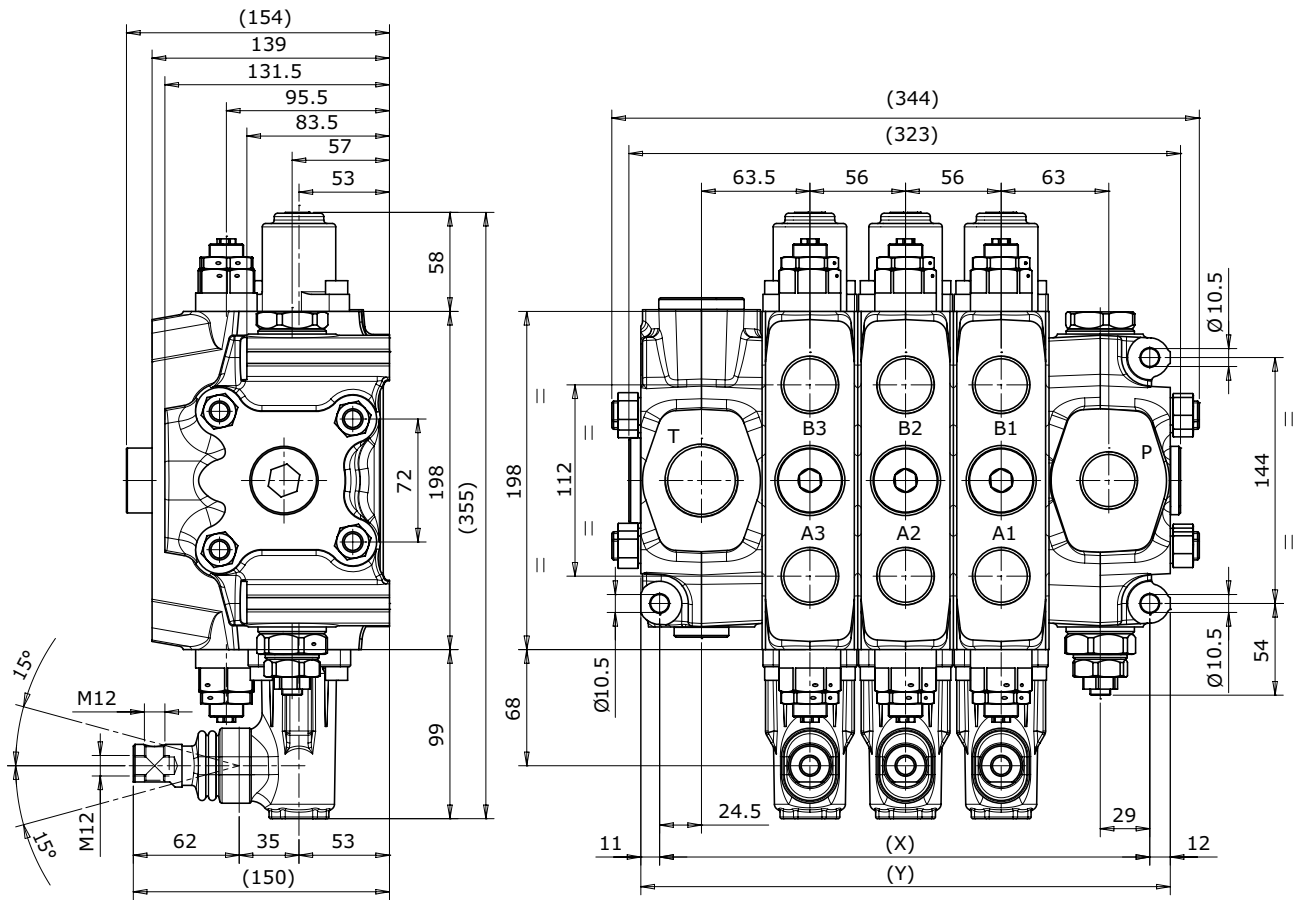
The painting is indicated with the following value:

P006 - /1 - N10





DIMENSIONS



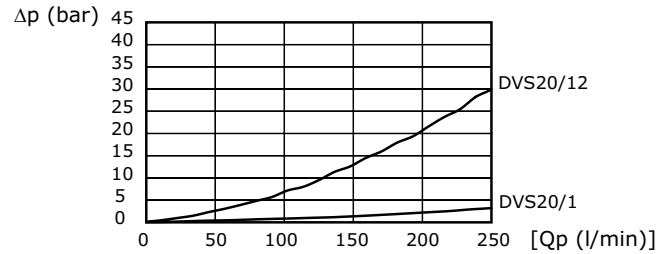
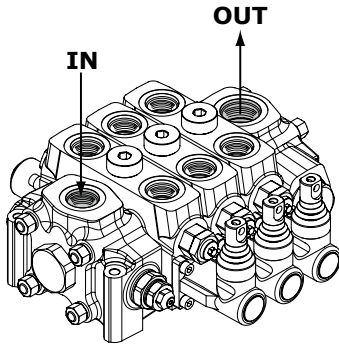
| TYPE | /1 | /2 | /3 | /4 | /5 | /6 | /7 | /8 | /9 | /10 | /11 | /12 |
|---------------------|-----|-----|-----|-----|-----|-----|-----|-----|-----|-----|-----|-----|
| X (mm) | 173 | 229 | 285 | 341 | 397 | 453 | 509 | 565 | 621 | 677 | 733 | 789 |
| Y (mm) | 196 | 252 | 308 | 364 | 420 | 476 | 532 | 588 | 644 | 700 | 756 | 812 |
| Weights (kg) | 25 | 34 | 43 | 52 | 61 | 70 | 79 | 88 | 97 | 106 | 115 | 124 |



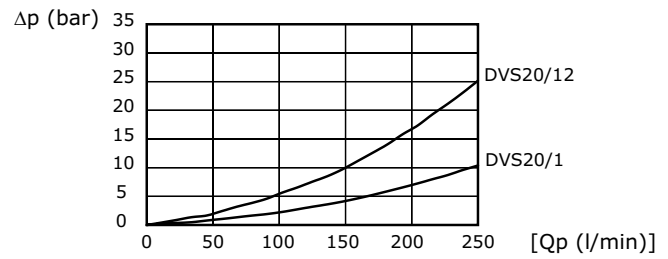
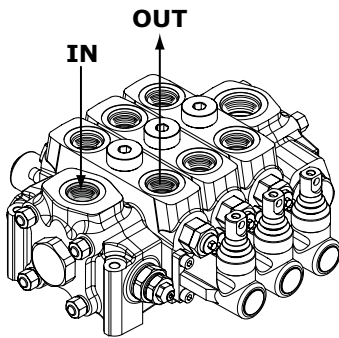
TYPICAL CURVES

Indicated values have been tested with standard sectional valve and W001A spool.

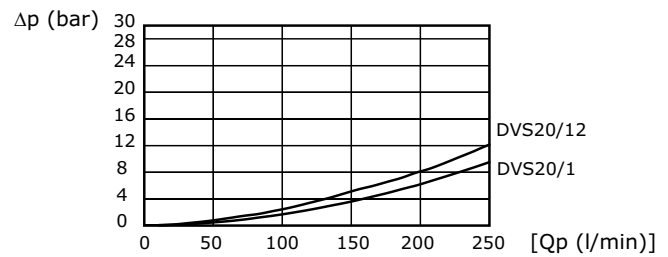
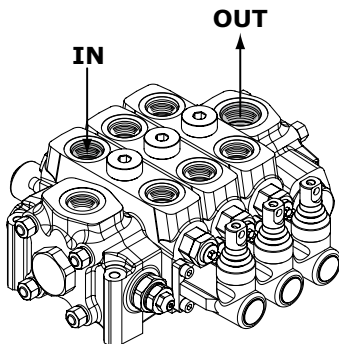
Pressure drop (P - T)



Pressure drop (P - A/B)



Pressure drop (A/B - T)



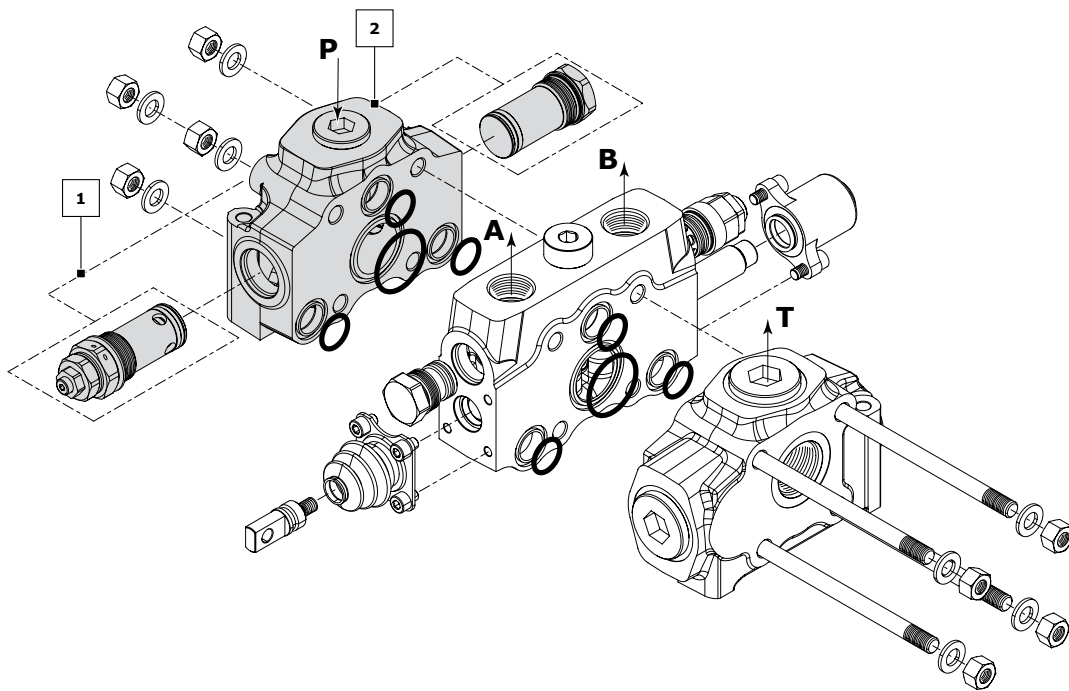


INLET SECTION

Order example

| | | | |
|-----------|------------|------------|--------------|
| IR | 009 | 150 | A G06 |
|-----------|------------|------------|--------------|

- 1. IR** inlet side classification _____
- 009** valve arrangement _____
- 150** setting (bar) _____
- 2. A G06** inlet position and available thread type _____



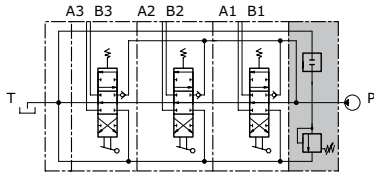
| Rif. | Code | Description | Page |
|----------|--------------|--|-----------|
| - | IR | Sectional valve with right inlet section | 10 |
| - | IL | Sectional valve with left inlet section | |
| 1 | 009 | Pilot operated pressure relief valve | 11 |
| | 010 | Pilot operated pressure relief valve and Main anticavitation check valve | |
| | 019 | Without valves | |
| 2 | A G06 | Upper inlet (thread G 1) | 11 |
| | C G06 | Central side inlet (thread G 1) | |
| | A U06 | Upper inlet (thread 1"5/16 - 12 UNF) | |
| | C U06 | Central side inlet (thread 1"5/16 - 12 UNF) | |

NOTE: when ordering a relief valve it is necessary to specify factory setting (example 150).

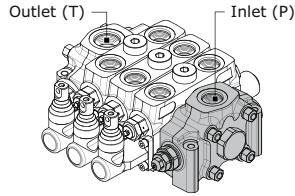


Inlet side classifications

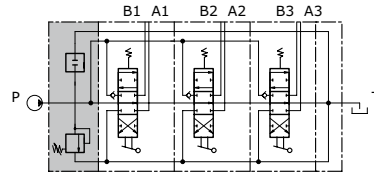
Sectional valve with **right inlet** section



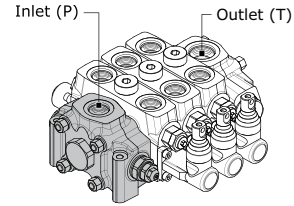
IR



Sectional valve with **right inlet** section



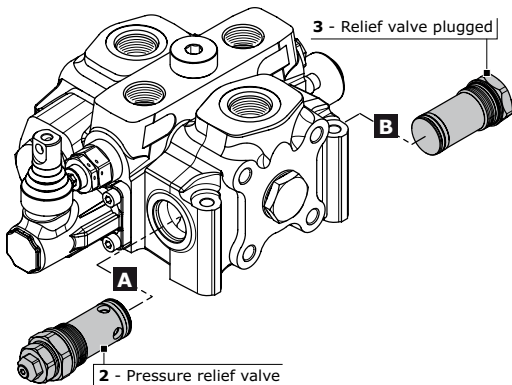
IL



Valve identification

| type | schema | configuration | description | type | schema | configuration | description |
|----------|--------|---------------|--------------------------------------|-----------|--------|---------------|-------------------------------------|
| 2 | | | Pilot operated pressure relief valve | 7 | | | Solenoid dump valve 12 Vdc |
| 3 | | | Relief valve plugged | 8 | | | Solenoid dump valve 24 Vdc |
| 4 | | | Main anticavitation check valve | 11 | | | Plug with pressure-gauge connection |

Valve arrangement



Combination valve example: 009 = 2A - 3B

- 009** Combination valve
- 2A** Pressure relief valve in port A
- 3B** Relief valve plugged in port B

The code identifies:

with a number, the type of valve; with a letter its position on the inlet section.

(A) = spool action side

(B) = spool return action side

NOTE: when ordering a main relief valve it is necessary to specify setting



| AVAILABLE COMBINATIONS INLET SECTION | | Valve type on port B | | | | | | |
|--------------------------------------|--|----------------------|-----|-----|-----|-----|-----|-----|
| | | | | | | | | |
| | | 2 | 3 | 4 | 7 | 8 | 11 | |
| Valve type on port A | | 2 | | 009 | 010 | 012 | 013 | 016 |
| | | 3 | 018 | 019 | 020 | 023 | 024 | 027 |
| | | 4 | 029 | 030 | | 033 | 034 | 037 |
| | | 7 | 054 | 055 | 056 | | | 059 |
| | | 8 | 061 | 062 | 063 | | | 066 |
| | | 11 | 085 | 086 | 087 | | | |

Inlet position

| Inlet combination and thread available | | |
|--|---|---|
| A G06 | <p>Upper Inlet (P)</p> | Upper inlet (P) |
| A U06 | | |
| C G06 | <p>Central side Inlet (P)</p> | Central side inlet (P) |
| C U06 | | |
| B G06 | <p>Upper Inlet (P)</p> <p>Connection G1/4 (P1)</p> | Upper inlet (P) (P1) with pressure-gauge connection G 1/4 |
| B U06 | | |
| D G06 | <p>Connection G1/4 (P1)</p> <p>Central side Inlet (P)</p> | Central side inlet (P) (P1) with pressure-gauge connection G 1/4 |
| D U06 | | |

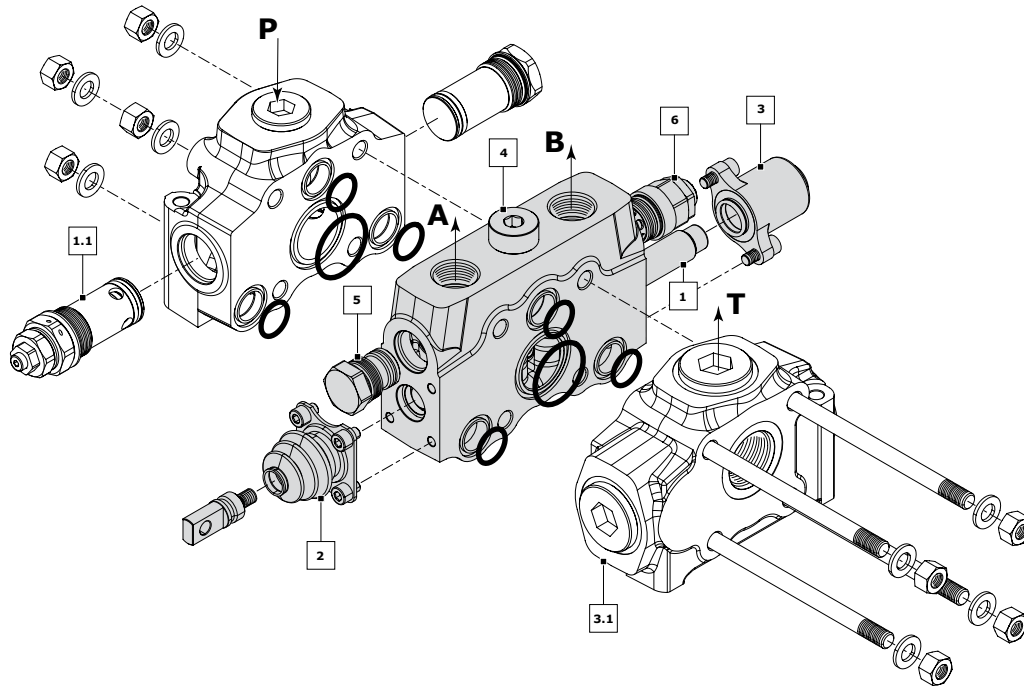


WORK SECTION

Order example:

| | | | | | |
|--------------|-------------|--------------|---------------|--------------|------------------|
| W001A | H004 | F001A | RP G06 | 05 PA | 01 PB 100 |
|--------------|-------------|--------------|---------------|--------------|------------------|

- | | |
|--|--|
| <ol style="list-style-type: none"> 1. W001A 2. H004 3. F001A 4. RP G06 5. 05 PA 6. 01 PB 120 | <p>spool type _____</p> <p>spool actuation type _____</p> <p>spool return action _____</p> <p>section and thread type _____</p> <p>auxiliary valve (port A - handle side) _____</p> <p>auxiliary valve (port B - cap side) _____</p> |
|--|--|



| Rif. | Code | Description | Page |
|------|------------------|---|-----------|
| 1 | W001 | 3 positions double-acting | 13 |
| | W002 | 3 positions double-acting A-B to tank | |
| 2 | H001 | Protected lever | 15 |
| | H004 | Control without lever | |
| 3 | F001A | 3 positions spring-centred spool | 16 |
| | F002A | Detent in A and B | |
| 4 | RP G06 | Parallel circuit (G 1) | 21 |
| | RP U06 | Parallel circuit (1"5/16-12 UNF) | |
| | RS G06 | Series circuit (G 1) | |
| | RS U06 | Series circuit (1"5/16-12 UNF) | |
| 5 | 01 PA 100 | Antishock valve (port A) | 22 |
| | 05 PA | Prerangement for auxiliary valve (port A) | |
| 6 | 01 PB 100 | Antishock valve (port B) | 22 |
| | 05 PB | Prerangement for auxiliary valve (port B) | |

NOTE:

Sections designed to house auxiliary valve option require double choice on work ports A and B.
 Always indicate setting value when using antishock and pilot combined valve: **01 PA (100) - 04 PA (100)**



Spool identification

order example of spool: **W001 A J10**

W001 spool schema 3 positions double-acting
A spool type standard spool
J10 restricted service ports restriction on diameter (0,10 mm in A and B)

| | | |
|-------------|--|--|
| W001 | 3 positions double-acting | |
| W002 | 3 positions double-acting A and B to tank | |
| W003 | 3 positions double-acting A to tank B blocked | |
| W004 | 3 positions double-acting A blocked B to tank | |
| W005 | 3 positions single - acting on A | |
| W006 | 3 positions single - acting on B | |
| W012 | 4 positions double-acting with float in the 4 th position | |

| spools with restricted service ports | | | | |
|--------------------------------------|----------|------------------------------|----------------------------|------------------|
| code | circuit | restriction on diameter (mm) | section (mm ²) | hydraulic schema |
| J10 | A-B IN T | 0,10 | 2,82 | |
| K10 | A IN T | 0,10 | 2,82 | |
| Y10 | B IN T | 0,10 | 2,82 | |



| CODE | spool type available | |
|-------------|----------------------|--------------|
| | STANDARD A | METERED B |
| W001 | W001A | W001B |
| W002 | W002A | W002B |
| W003 | W003A | W003B |
| W004 | W004A | W004B |
| W005 | W005A | |
| W006 | W006A | |
| W012 | W012A | |

NOTE:

- W012 spool need a special machining on the valve body.
- Float spool (W012) need special detent kit (F005).
- Different spools are available on request.

Plaese contact our Sales department for more information.



Spool actuation classification

| code | description | dimensions | configuration |
|-------------|------------------------------|------------|---------------|
| H001 | Protected lever | | |
| H002 | Protected lever rotated 180° | | |
| H101 | Unprotected lever | | |
| H004 | Control without lever | | |

Spool actuation classification for Hydraulic control

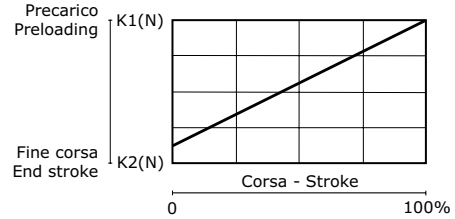
| code | description | dimensions | configuration |
|--|---|------------|---------------|
| H005 <small>leave out the spool return action code</small> | Hydraulic actuation with side ports BSP ports = G 1/4 UNF ports = 9/16-18 UNF | | |



Spool return action classification - Springs load values

Spool return kits have three different spring types; following the codes depending on spring loads.

| Spring type | |
|--|----------------------------|
| Code | A (standard spring) |
| Preloading | 151 N |
| End of stroke | 186.4 N |
| Spool return action identification example | |
| Code | F001A |



Spool return action classification

| code | description | schema | dimensions | configuration |
|--|--|--------|------------|---------------|
| F001A F001B F001C | 3 positions spring-centred spool | | | |
| F002A | 3 positions spring-centred spool detent in A and B | | | |
| F003A | 3 positions spring-centred spool detent in A | | | |
| F004A | 3 positions spring-centred spool detent in B | | | |
| F005A | 4 positions spring-centred spool detent in 4 th position (only for W012 spool) | | | |
| F149 | Detent in A and B without return spring | | | |



Pneumatic control classification

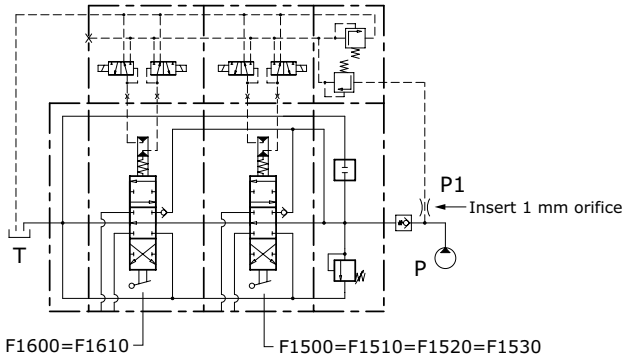
| code | description | schema | dimensions | configuration |
|--------------|---|--------|---|---------------|
| F020A | Pneumatic control ON - OFF | | <p>Pneumatic control: PORT BSP = G 1/8</p> | |
| F021A | Pneumatic control ON - OFF rotated 180° | | | |
| F022A | Proportional Pneumatic control | | <p>Pneumatic control: PORT NPTF = 1/8 -27</p> | |
| F023A | Proportional Pneumatic control rotated 180° | | | |
| F135A | Pneumatic control ON - OFF | | <p>Pneumatic control: PORT NPTF = 1/8 -27</p> | |
| F136A | Pneumatic control ON - OFF rotated 180° | | | |
| F126A | Proportional Pneumatic control | | <p>Pneumatic control: PORT NPTF = 1/8 -27</p> | |
| F127A | Proportional Pneumatic control rotated 180° | | | |



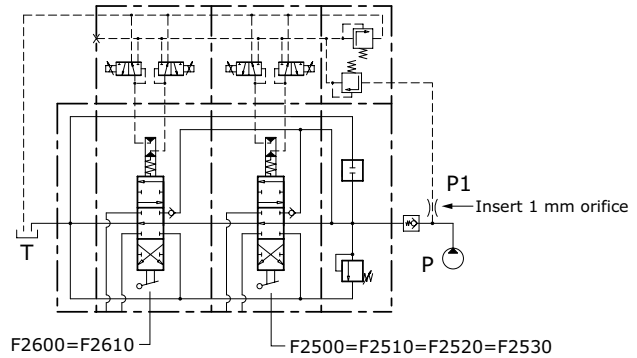
Electrohydraulic control specifications

| | |
|-----------------------------|----------------|
| Operating temperature range | -20°C / +80°C |
| Max inlet pressure | 350 bar |
| Reduced pressure | 16 bar |
| Back pressure on (T) | 3 bar |
| Filtering degree | 25 μ assoluti |
| Raccomanded pilot pipe size | Ø 6 mm - G 1/4 |

Electrohydraulic ON-OFF control with fixed pressure reducing valve



Electrohydraulic PROPORTIONAL control with fixed pressure reducing valve



Proportional control kit, mechanically retrooperated, allows the maximum precision of positioning, limiting the hysteresis. The control is operated with PWM control of the current. PWM frequency suggest: 60-80 Hz

| regulation currents | | | |
|---------------------|----------------------------------|-----------------|-----------------|
| Nominal voltage (V) | Resistance R ₂₀ (Ohm) | Current min (A) | Current max (A) |
| 12 vdc | 3,7 | 0,9 | 1,7 |
| 24 vdc | 15,5 | 0,45 | 0,85 |

Electrohydraulic control classification

| code | description | dimensions | configuration |
|--------------|--|------------|---------------|
| F1600 | 3 positions electrohydraulic control ON - OFF 12 Vdc | | |
| F1610 | 3 positions electrohydraulic control ON - OFF 24 Vdc | | |
| F2600 | 3 positions electrohydraulic control PROPORTIONAL 12 Vdc | | |
| F2610 | 3 positions electrohydraulic control PROPORTIONAL 24 Vdc | | |

Electrohydraulic ON-OFF control is stackable with electrohydraulic PROPORTIONAL control (F2600 = F2610). Control kit already includes orifice to make spool displacement more gradual.



Electrohydraulic control with fixed pressure reducing valve classification

| code | description | configuration |
|--------------|--|--|
| F1500 | Electrohydraulic control ON - OFF (fixed pressure reducing valve) P - T inlet side (12 vdc) | <p>Port BSP (P - T) = G 1/4 Port UNF (P - T) = 9/16"18 UNF</p> |
| F1510 | Electrohydraulic control ON - OFF (fixed pressure reducing valve) P - T inlet side (24 vdc) | |
| F2500 | Electrohydraulic control PROPORTIONAL (fixed pressure reducing valve) P - T inlet side (12 vdc) | |
| F2510 | Electrohydraulic control PROPORTIONAL (fixed pressure reducing valve) P - T inlet side (24 vdc) | |
| F1520 | Electrohydraulic control ON - OFF (fixed pressure reducing valve) P inlet - T outlet (12 vdc) | <p>Port BSP (P - T) = G 1/4 Port UNF (P - T) = 9/16"18 UNF</p> |
| F1530 | Electrohydraulic control ON - OFF (fixed pressure reducing valve) P inlet - T outlet (24 vdc) | |
| F2520 | Electrohydraulic control PROPORTIONAL (fixed pressure reducing valve) P inlet - T outlet (12 vdc) | |
| F2530 | Electrohydraulic control PROPORTIONAL (fixed pressure reducing valve) P inlet - T outlet (24 vdc) | |

Control tie rod assembly

The length of the control tie rod, will change depending on the section numbers; in this way it will be easy to install in the right way the sections and avoid any misassembly. Each kit is composed by 2 tie rods, 2 plugs, 2 connection ports and spacers according to the section number.

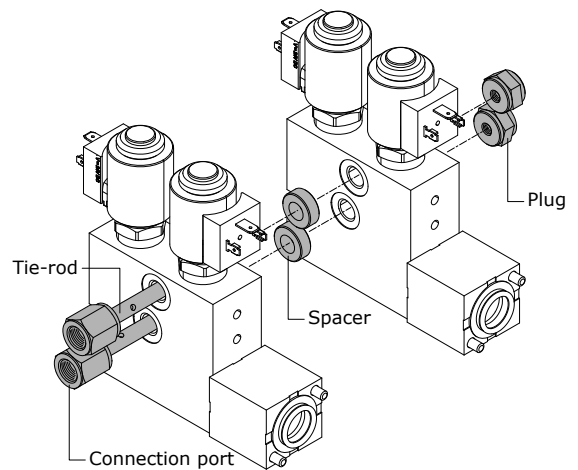
NOTE: the control tie rod kit has always to be ordered separately.

Reducing valve, combined with electrohydraulic control kit has to be calculated as a normal working section.

ORDER EXAMPLE:

Complete valves with 3 sections F1600 requires a complete tie-rod kit /3.

Complete valves with 2 sections F1600 and 1 section with F1500 (reducing valve) requires a complete tie-rod kit /4.



Order code fixed pressure reducing valve:

915000303 = reducing valve for BSP ports

915000312 = reducing valve for UNF ports

Order code for control tie rod (BSP):

- 320103001** = control tie rod /1
- 320107001** = control tie rod /2
- 320107002** = control tie rod /3
- 320107003** = control tie rod /4
- 320107004** = control tie rod /5
- 320107005** = control tie rod /6
- 320107006** = control tie rod /7
- 320107007** = control tie rod /8

Order code for control tie rod (UNF):

- 320103026** = control tie rod /1
- 320107026** = control tie rod /2
- 320107027** = control tie rod /3
- 320107028** = control tie rod /4
- 320107029** = control tie rod /5
- 320107030** = control tie rod /6
- 320107031** = control tie rod /7
- 320107032** = control tie rod /8

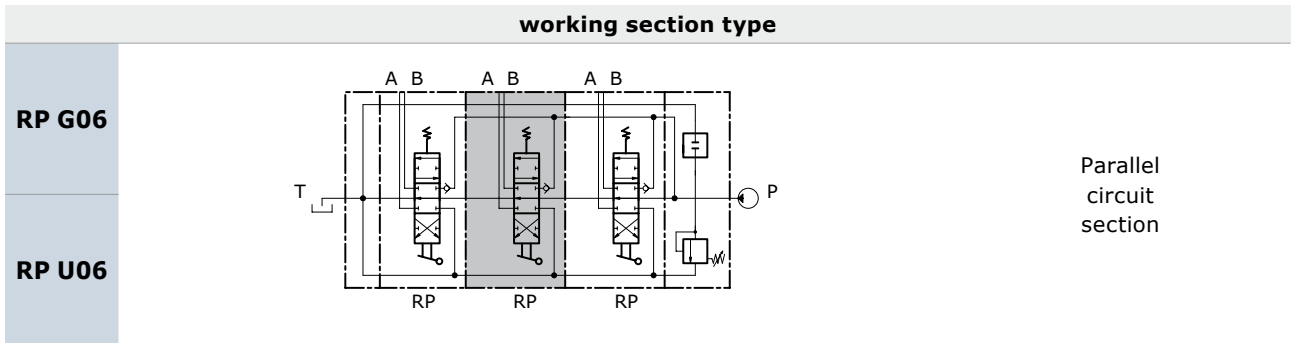


Compatibility table

| SPOOL ACTION TYPE | SPOOL TYPE | | | | | | | | | | |
|--------------------------|------------|-------|-------|-------|-------|-------|-------|-------|-------|-------|-------|
| | W001A | W001B | W002A | W002B | W003A | W003B | W004A | W004B | W005A | W006A | W012A |
| H001 | • | • | • | • | • | • | • | • | • | • | • |
| H002 | • | • | • | • | • | • | • | • | • | • | • |
| H004 | • | • | • | • | • | • | • | • | • | • | • |
| H101 | • | • | • | • | • | • | • | • | • | • | • |
| H005 | • | • | • | • | • | • | • | • | • | • | • |
| SPOOL RETURN ACTION TYPE | SPOOL TYPE | | | | | | | | | | |
| | W001A | W001B | W002A | W002B | W003A | W003B | W004A | W004B | W005A | W006A | W012A |
| F001 | • | • | • | • | • | • | • | • | • | • | |
| F002 | • | • | • | • | • | • | • | • | • | • | |
| F003 | • | • | • | • | • | • | • | • | • | • | |
| F004 | • | • | • | • | • | • | • | • | • | • | |
| F005 | | | | | | | | | | | • |
| F149 | • | • | • | • | • | • | • | • | • | • | |
| F020=F021 | • | • | • | • | • | • | • | • | • | • | |
| F022=F023 | • | • | • | • | • | • | • | • | • | • | |
| F135=F136 | • | • | • | • | • | • | • | • | • | • | |
| F126=F127 | • | • | • | • | • | • | • | • | • | • | |
| F1500=F1510 | • | • | • | • | • | • | • | • | • | • | |
| F1520=F1530 | • | • | • | • | • | • | • | • | • | • | |
| F2500=F2510 | • | • | • | • | • | • | • | • | • | • | |
| F2520=F2530 | • | • | • | • | • | • | • | • | • | • | |
| F1600=F1610 | • | • | • | • | • | • | • | • | • | • | |
| F2600=F2610 | • | • | • | • | • | • | • | • | • | • | |



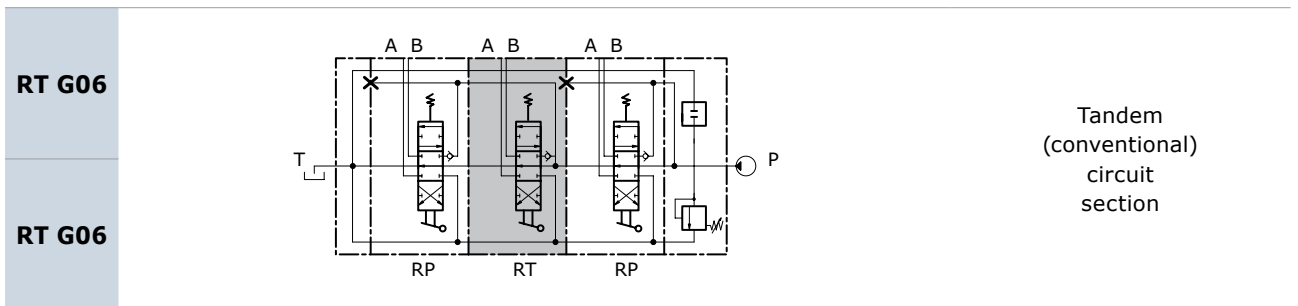
Work section identification



Parallel circuit section

Parallel circuit

When the spool is operated it intercepts the by-pass gallery by diverting the flow of oil to service port A or B. If two or more spools are actuated at the same time, the oil will power the service port that has the lower load; by throttling the spools, the flow of oil can be divided between two or more service ports.



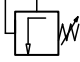
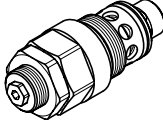
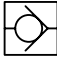
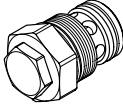
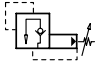
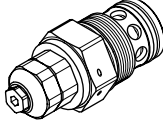
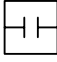
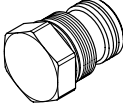
Tandem (conventional) circuit section

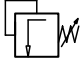
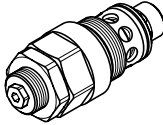
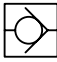
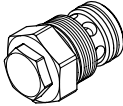
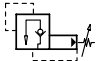
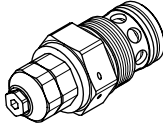
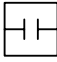
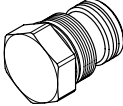
Parallel-Tandem circuit

When the spool is operated it intercepts the switch gallery by diverting the flow of oil to service port A or B. The Tandem circuit is powered by the switch gallery thus permitting the use of just one work section at a time. The section downstream from the tandem section that has been actuated does not operate, the upstream section has priority.



Auxiliary valve identification

| code | description | schema | configuration | Setting range (bar) | | | |
|-------------|---|--|--|---------------------|--------------|----------|---------------|
| | | | | type | at full flow | type | at min. flow |
| 01PA | Antishock valve (port A) |  |  | A | 60 / 100 | A | 10-A / 60-A |
| | | | | B | 101 / 160 | B | 61-A / 130-A |
| | | | | C | 161 / 250 | C | 131-A / 250-A |
| 02PA | Anticavitation valve (port A) |  |  | | | | |
| 04PA | Pilot combined valve (port A) |  |  | A | 50 / 275 | | |
| 05PA | Prearrangement for auxiliary valve (port A) |  |  | | | | |

| code | description | schema | configuration | setting range (bar) | | | |
|-------------|---|---|---|---------------------|--------------|----------|---------------|
| | | | | type | at full flow | type | at min. flow |
| 01PB | Antishock valve (port B) |  |  | A | 60 / 100 | A | 10-A / 60-A |
| | | | | B | 101 / 160 | B | 61-A / 130-A |
| | | | | C | 161 / 250 | C | 131-A / 250-A |
| 02PB | Anticavitation valve (port B) |  |  | | | | |
| 04PB | Pilot combined valve (port B) |  |  | A | 50 / 275 | | |
| 05PB | Prearrangement for auxiliary valve (port B) |  |  | | | | |

Auxiliary valve - Setting range

Sections designed to house auxiliary valve option require double choice on work ports A and B.

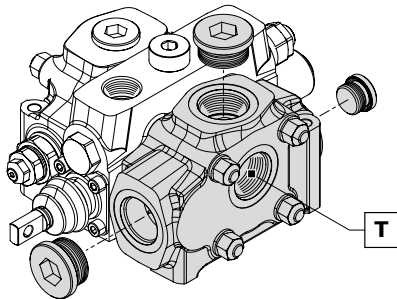
Always indicate setting value when using antishock valve and pilot combined valve:

01 PA (120) = setting at full flow 01 PA (120-A) = setting at min. flow 04 PA (120) = setting at min. flow



OUTLET SECTION - STANDARD VERSION

Order example



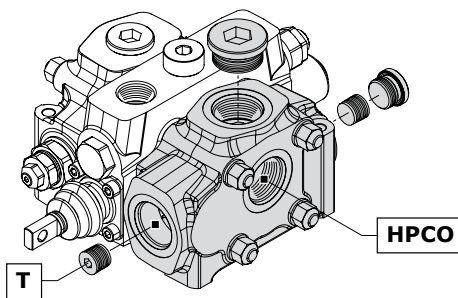
TJ | **A G07**

1. **TJ** outlet section type
2. **A G07** outlet position and available thread type

| Rif. | Code | Description | Page |
|------|--------------|--|------|
| 1 | TJ | Outlet section with single return (T) right-side inlet (P) | |
| | TK | Outlet section with single return (T) left-side inlet (P) | |
| 2 | A G07 | Upper outlet (thread G 1"1/4) | 24 |
| | A U07 | Upper outlet (thread 1"5/8-12 UNF) | |
| | C G07 | Central outlet (thread G 1"1/4) | |
| | C U07 | Central outlet (thread 1"5/8-12 UNF) | |

OUTLET SECTION - HPCO VERSION

Order example - HPCO version Outlet



TM | **M G07**

1. **TM** outlet section type
2. **M G07** outlet position and available thread type

| Rif. | Code | Description | Page |
|------|--------------|--|------|
| 1 | TM | Outlet section with two return (T-HPCO) right-side inlet (P) | |
| | TN | Outlet section with two return (T-HPCO) left-side inlet (P) | |
| 2 | M G07 | HPCO upper outlet T (tank) rear outlet side B (thread G 1"1/4) | 25 |
| | M U07 | HPCO upper outlet T (tank) rear outlet side B (thread 1"5/8-12 UNF) | |
| | N G07 | HPCO upper outlet T (tank) front outlet side A (thread G 1"1/4) | |
| | N U07 | HPCO upper outlet T (tank) front outlet side A (thread 1"5/8-12 UNF) | |

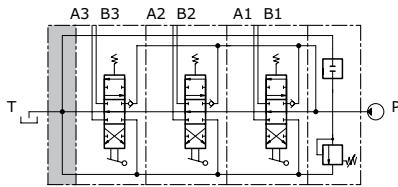


Outlet with single tank classification

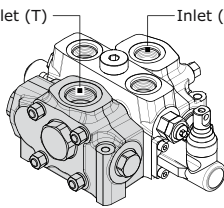
outlet identification

TJ

Outlet section with single return (T)
right-side inlet (P)

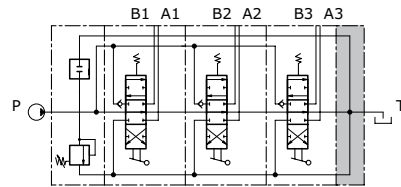


Outlet (T) Inlet (P)

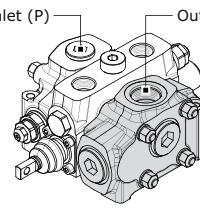


TK

Outlet section with single return (T)
left-side inlet (P)

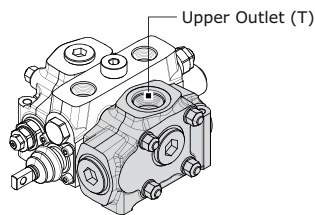


Inlet (P) Outlet (T)



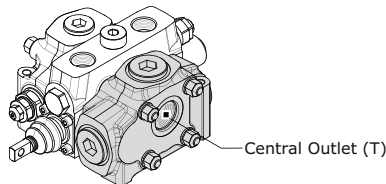
Inlet combination and thread available

A G07



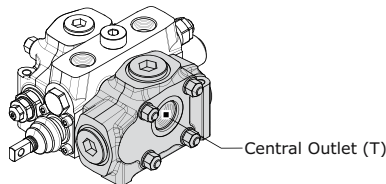
Upper outlet
(thread G 1"1/4)

A U07



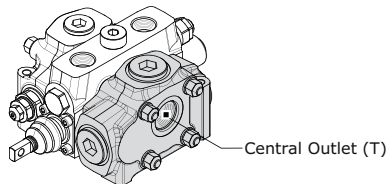
Upper outlet
(thread 1"5/8 - 12 UNF)

C G07



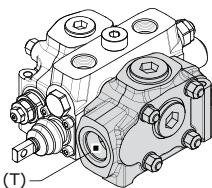
Central outlet
(thread G 1"1/4)

C U07



Central outlet
(thread 1"5/8 - 12 UNF)

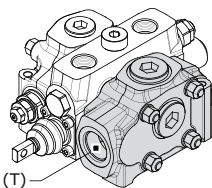
G G07



**only
for
TK**

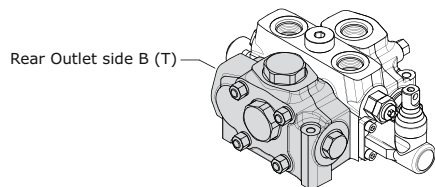
Front outlet side A
(thread G 1"1/4)

G U07



Front outlet side A
(thread 1"5/8 - 12 UNF)

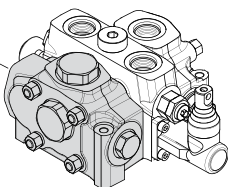
H G07



**only
for
TJ**

Rear outlet side B
(thread G 1"1/4)

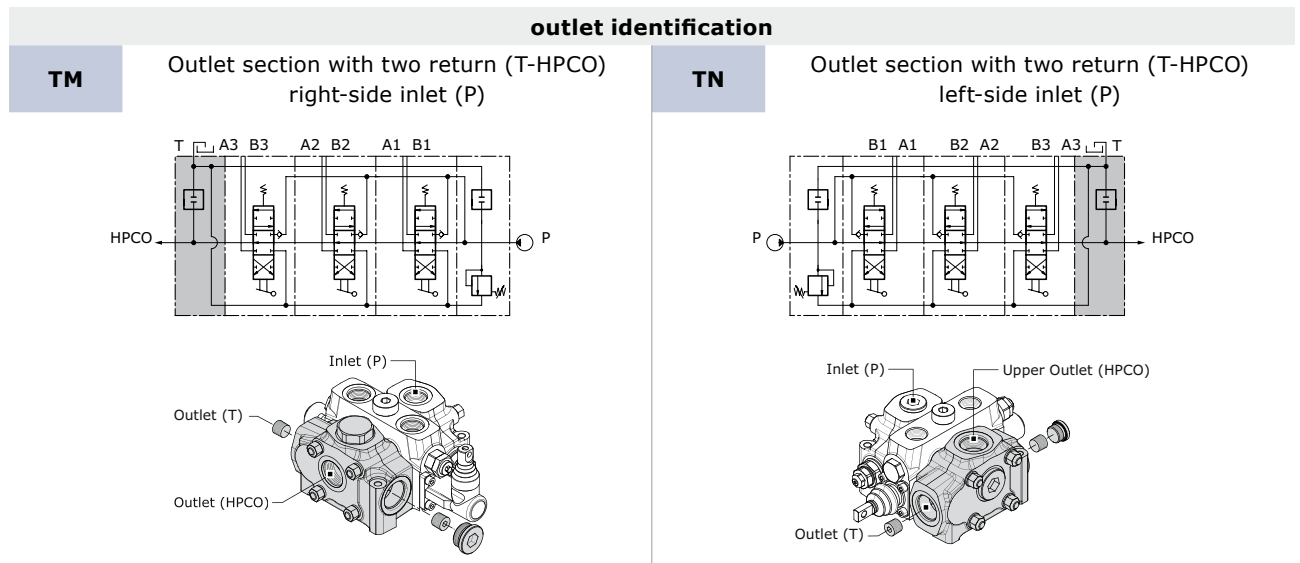
H U07



Rear outlet side B
(thread 1"5/8 - 12 UNF)



Outlet with two tanks classification



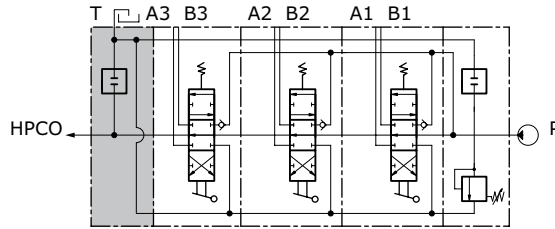
Inlet combination and thread available

| | | | |
|--------------|--|--------------------|---|
| M G07 | | only for TM | HPCO upper outlet T rear side outlet B (thread G 1 1/4) |
| M U07 | | | HPCO upper outlet T rear side outlet B (thread 1 5/8 - 12 UNF) |
| N G07 | | only for TN | HPCO upper outlet T front outlet side A (thread G 1 1/4) |
| N U07 | | | HPCO upper outlet T front outlet side A (thread 1 5/8 - 12 UNF) |
| P G07 | | only for TM | HPCO central outlet T rear outlet side B (thread G 1 1/4) |
| P U07 | | | HPCO central outlet T rear outlet side B (thread 1 5/8 - 12 UNF) |
| Q G07 | | only for TN | HPCO central outlet T front outlet side A (thread G 1 1/4) |
| Q U07 | | | HPCO central outlet T front outlet side A (thread 1 5/8 - 12 UNF) |

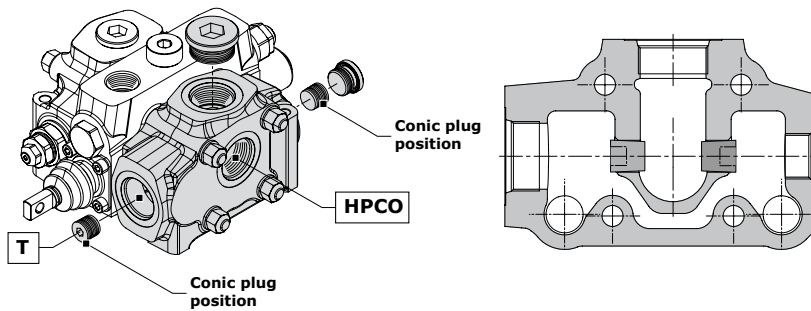


CARRY-OVER CONNECTION (HPCO)

This option, available on all D20, allows the sectional valve to feed a second valve, by extending the free flow channel. In this configuration, the valve need a separated port for connection to tank.



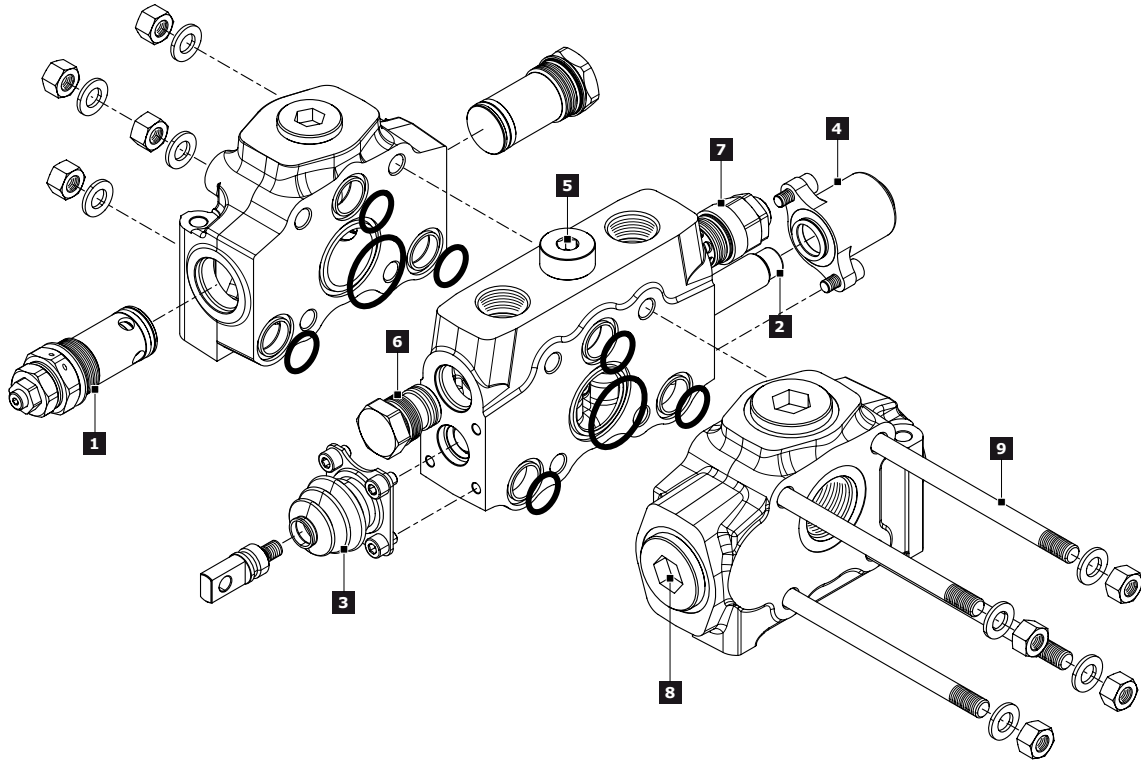
It is possible to transform sectional valve from standard to HPCO version just by ordering the appropriate conic plug:



| code (HPCO Plug identification) | description | q.ty |
|---------------------------------|-----------------|------|
| 413010201 | G 1/2 x 17 plug | 2 |



DVS20 SPARE PARTS LIST



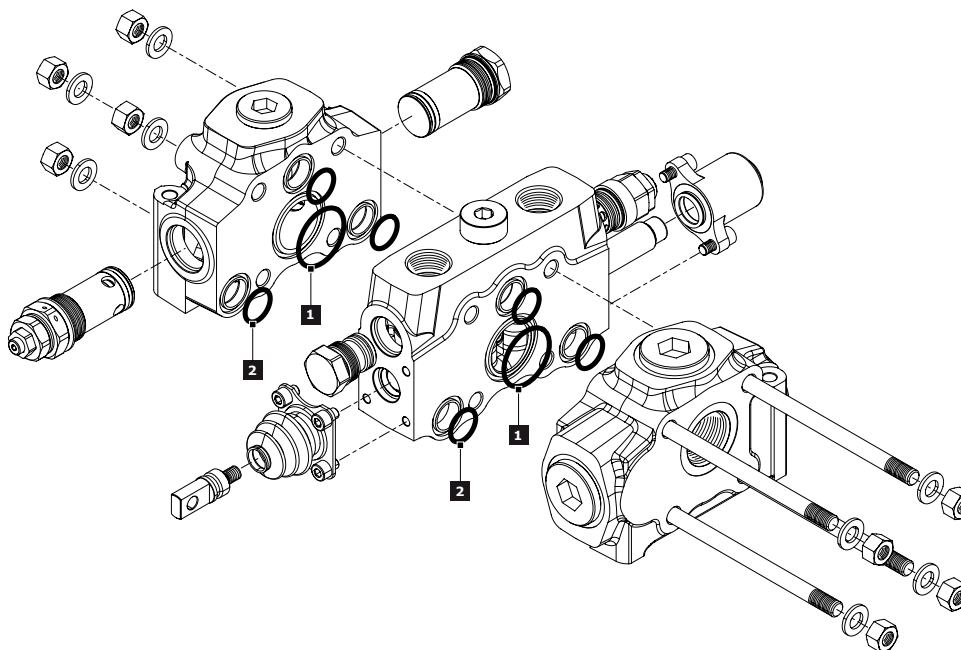
| Ref. | Description | Order code | Q.ty | Code | Note |
|--|---|------------|-------|-----------------|---------------------|
| 1 | Pilot operated pressure relief valve | 89380 | 1 | | Setting: 80 bar |
| | | 89312 | | | Setting: 150 bar |
| | | 89381 | | | Setting: 250 bar |
| | Relief valve plugged | 430188001 | 1 | - | |
| | Main Anticavitation check valve | 915058801 | 1 | | |
| | Plug with pressure-gauge connection | 430188002 | 1 | | |
| 2 | 3 positions double-acting spool | 421288005 | 1 | W001A | |
| | | 421288007 | | W001B | |
| | 3 positions double-acting A and B to tank spool | 421288013 | 1 | W002A | |
| | | 421288014 | | W002B | |
| | 3 positions single-acting on A | 421288019 | 1 | W005A | |
| | 3 positions single-acting on B | 421288021 | 1 | W006A | |
| 4 positions double-acting with float in the 4 th pos. | 421288027 | 1 | W012A | | |
| 3 | Protected lever | 320388002 | 1 | H001 = H002 | |
| | | 320388003 | | | only for W012 spool |
| | Control without lever | 320388001 | 1 | H004 | |
| | | 320388004 | | | only for W012 spool |
| | Unprotected lever | 320388001 | 1 | H101 = H102 | |
| Hydraulic actuation with side ports | 320507001 | 2 | H005 | for BSP version | |
| | 320507023 | | | for UNF version | |



| Ref. | Description | Order code | Q.ty | Code | Note | |
|--|--|------------|------------------|------------------|----------------------------|-----------|
| 4 | 3 position spring centred spool | 320788001 | 1 | F001A | | |
| | Detent in A and B | 320807001 | 1 | F002A | | |
| | Detent in A | 320807002 | 1 | F003A | | |
| | Detent in B | 320807003 | 1 | F004A | | |
| | Detent in 4 th position | 320807004 | 1 | F005A | only for W012 spool | |
| | Pneumatic control ON-OFF | 321107004 | 1 | F020A=F021A | BSP ports | |
| | Proportional Pneumatic control | | 321207007 | 1 | F022A=F023A | BSP ports |
| | | | 321207013 | 1 | F126A=F127A | NPT ports |
| | Electrohydraulic ON-OFF (12 vdc) | 321407021 | 1 | F1600 | | |
| | Electrohydraulic ON-OFF (24 vdc) | 321407022 | 1 | F1610 | | |
| | Electrohydraulic Proportional (12 vdc) | 322007001 | 1 | F2600 | | |
| | Electrohydraulic Proportional (24 vdc) | 322007002 | 1 | F2610 | | |
| | Electrohydraulic ON-OFF (12 vdc) with reducing valve | 321407023 | 1 | F1500=F1520 | BSP ports | |
| | Electrohydraulic ON-OFF (24 vdc) with reducing valve | 321407024 | 1 | F1510=F1530 | BSP ports | |
| | Electrohydraulic Proportional (12 vdc) with reducing valve | 322007003 | 1 | F2500=F2520 | BSP ports | |
| | Electrohydraulic Proportional (24 vdc) with reducing valve | 322007004 | 1 | F2510=F2530 | BSP ports | |
| Electrohydraulic ON-OFF (12 vdc) with reducing valve | 321407031 | 1 | F1500=F1520 | UNF ports | | |
| Electrohydraulic ON-OFF (24 vdc) with reducing valve | 321407032 | 1 | F1510=F1530 | UNF ports | | |
| Electrohydraulic Proportional (12 vdc) with reducing valve | 322007009 | 1 | F2500=F2520 | UNF ports | | |
| Electrohydraulic Proportional (24 vdc) with reducing valve | 322007010 | 1 | F2510=F2530 | UNF ports | | |
| 5 | Check valve on the work section | 320288001 | 1 | - | only for RP and RT section | |
| 6 | Antishock valve on port A | 84433 | 1 | | Setting: 100 bar | |
| | | 84434 | | 01 PA | Setting: 150 bar | |
| | | 85007 | | | Setting: 200 bar | |
| | 915088801 | 02 PA | | | | |
| | 84438 | | | Setting: 100 bar | | |
| Pilot combined valve on port A | 84439 | 04 PA | Setting: 200 bar | | | |
| | 84440 | | Setting: 300 bar | | | |
| Prearrangement for auxiliary valve on port A | 430488001 | | 05 PP | | | |
| 7 | Antishock valve on port B | 84433 | 1 | | Setting: 100 bar | |
| | | 84434 | | 01 PB | Setting: 200 bar | |
| | | 85007 | | | Setting: 300 bar | |
| | 915088801 | 02 PB | | | | |
| | 84438 | | | Setting: 100 bar | | |
| | Pilot combined valve on port B | 84439 | | 04 PB | Setting: 200 bar | |
| | | 84440 | | | Setting: 300 bar | |
| | Prearrangement for auxiliary valve on port B | 430488001 | | | 05 PB | |
| 8 | Plug kit (G 1) | 430000021 | 1 | G06 | | |
| | Plug kit (G 1"1/4) | 430000022 | | G07 | | |
| | Plug kit (1"5/16-12 UNF) | 300008002 | | U06 | | |
| | Plug kit (1"5/8-12 UNF) | 300009002 | | U07 | | |



Gasket kits



| Inlet and work section | | | |
|------------------------|------------|--------------------------------|------|
| Rif. | Order code | Description | Q.ty |
| 1 | 412020615 | O.R. 90SH 48,90 x 2,62 (2-135) | 1 |
| 2 | 412020614 | O.R. 90SH 26,65 x 2,62 (2-121) | 3 |

Complete Gasket kit: order code - 350988001

**Guidelines**

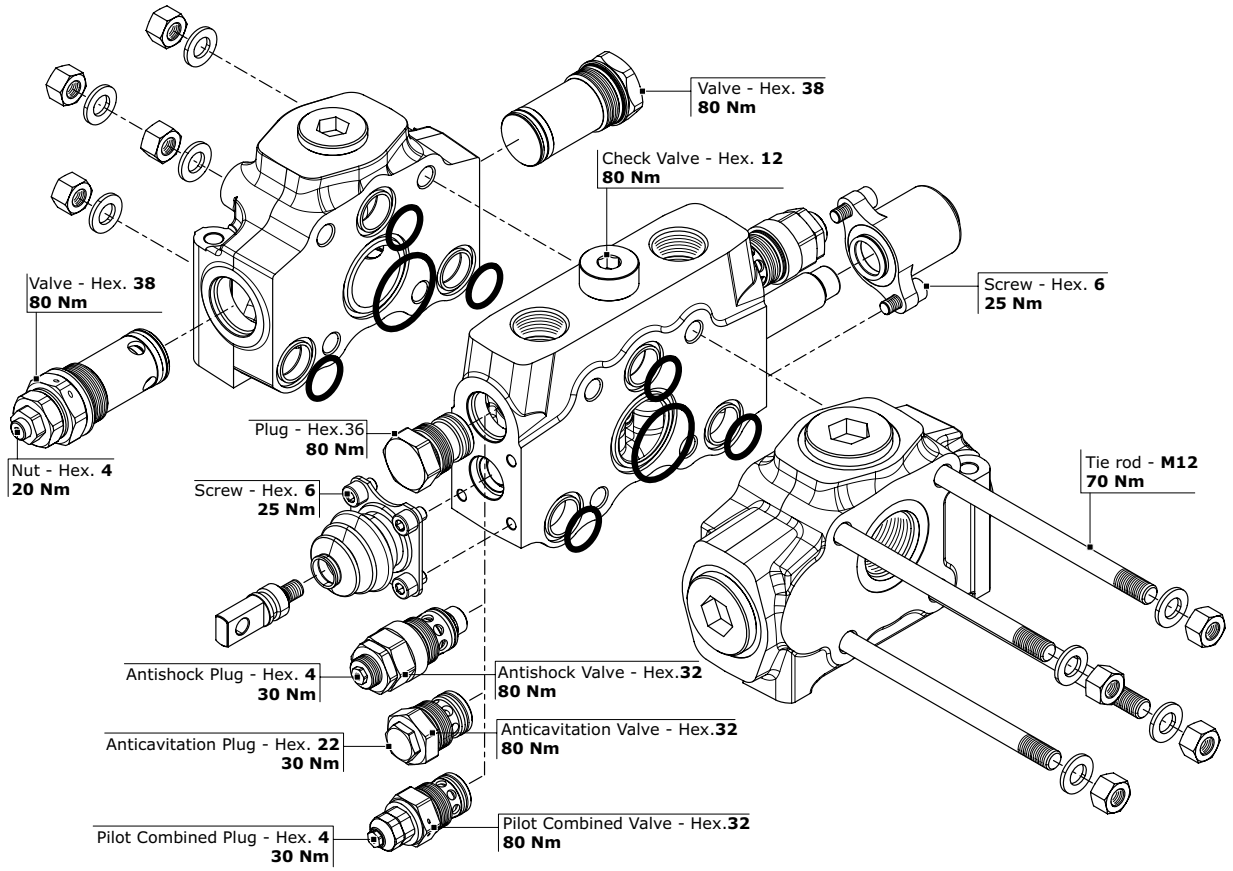
- Mount the control valve securely to a flat surface (recommended 3 point fixing); at the time do not use a hammer to positioning by hitting.
- When handling the control valve, be careful not hold the pilot cover or return spring cap of the spool or accessory valves such as main relief valves and anti-shock relief valves.
- Clean piping materials sufficiently before use.
- Make sure to prevent the port openings from being entered with dust or foreign matters.
- Tighten the port connectors surely with the recommended fastening torques.
- Do not direct the jet of a pressure washing unit directly to the valve.

Fittings tightening torque (Nm)

| thread type | port P | Port A - B | Port T |
|--|-----------------------|------------------------|-----------------------|
| BSP (ISO - 228) | G 1 | G 1 | G 1 1/4 |
| with rubber sealing (DIN 3869) | 120 | 120 | 120 |
| with copper or steel and rubber washer | 120 | 120 | 120 |
| UN-UNF (ISO - 725) | 1 5/16 - 12 UN | 1 5/16 - 12 UNF | 1 5/8 - 12 UNF |
| with O.R. | 120 | 120 | 120 |



General clamping torque





Dimensions - Thread codes

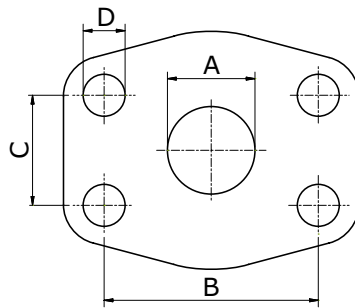
The connection ports size is indicated by an ordering code common for all Hydrocontrol products. Following table shows all available connections.

| METRIC THREAD (ISO 9974-1) | | | |
|-----------------------------------|------------|------------|------------|
| Type | M18x1,5 | M22x1,5 | M27x2 |
| Code | M01 | M02 | M03 |

| BSP THREAD (ISO 1179-1) | | | | | | | | |
|--------------------------------|------------|------------|------------|------------|------------|------------|------------|------------|
| Type | 1/4" | 3/8" | 1/2" | 3/4" | 1" | 1"1/4 | 1"1/2 | 2" |
| Code | G02 | G03 | G04 | G05 | G06 | G07 | G08 | G09 |

| UN / UNF THREAD (ISO 11926-1) | | | | | | |
|--------------------------------------|----------------------|---------------------|----------------------|------------------------|------------------------|-----------------------|
| Type | 9/16" 18 UNF SAE6 | 3/4" 16 UNF SAE8 | 7/8" 14 UNF SAE10 | 1"1/16 12 UNF SAE12 | 1"5/16 12 UNF SAE16 | 1"5/8 12 UNF SAE20 |
| Code | U02 | U03 | U04 | U05 | U06 | U07 |

Dimensions - SAE Flange codes



| SAE / 3000 FLANGE (ISO 6162-1) | | | | | | | | | | | | |
|---------------------------------------|------------|------------|------------|------------|------------|-------------|------------|-------------|------------|------------|------------|------------|
| Type | 3/4" (MA) | 3/4" (UNC) | 1" (MA) | 1" (UNC) | 1"1/4 (MA) | 1"1/4 (UNC) | 1"1/2 (MA) | 1"1/2 (UNC) | 2" (MA) | 2" (UNC) | 3" (MA) | 3" (UNC) |
| Code | S03 | S04 | S05 | S06 | S07 | S08 | S09 | S10 | S11 | S12 | S15 | S16 |
| A | 19 | 19 | 25 | 25 | 32 | 32 | 38 | 38 | 51 | 51 | 76 | 76 |
| B | 47,6 | 47,6 | 52,4 | 52,4 | 58,7 | 58,7 | 69,9 | 69,9 | 77,8 | 77,8 | 106,4 | 106,4 |
| C | 22,3 | 22,3 | 26,2 | 26,2 | 30,2 | 30,2 | 35,7 | 35,7 | 42,9 | 42,9 | 61,9 | 61,9 |
| D | M10 | 3/8-16 | M10 | 3/8-16 | M10 | 7/16-14 | M12 | 1/2-13 | M12 | 1/2-13 | M16 | 5/8-11 |

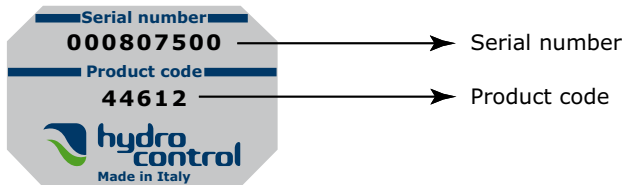
| SAE / 6000 FLANGE (ISO 6162-2) | | | | | | | | |
|---------------------------------------|------------|------------|------------|------------|------------|-------------|------------|-------------|
| Type | 3/4" (MA) | 3/4" (UNC) | 1" (MA) | 1" (UNC) | 1"1/4 (MA) | 1"1/4 (UNC) | 1"1/2 (MA) | 1"1/2 (UNC) |
| Code | S33 | S34 | S35 | S36 | S37 | S38 | S39 | S40 |
| A | 19 | 19 | 25 | 25 | 32 | 32 | 38 | 38 |
| B | 50,8 | 50,8 | 57,2 | 57,2 | 66,6 | 66,6 | 79,3 | 79,3 |
| C | 23,8 | 23,8 | 27,8 | 27,8 | 31,8 | 31,8 | 36,5 | 36,5 |
| D | M10 | 3/8-16 | M12 | 7/16-14 | M14 | 1/2-13 | M16 | 5/8-11 |



GENERAL CONDITIONS AND PATENTS

Product identification

All Hydrocontrol products have an identifying plate placed in specific position.



Serial number:

It univocally identifies the physical valve: this provides an easy way to find all sales and production details.

Product code:

It is a number univocally identifying the configuration and pressure settings of a valve.

Introduction

These general conditions apply to all general supplies from Hydrocontrol s.p.a., after receiving orders from the Customer. Should commercial terms such as EXW, DDP, etc be mentioned, of course the Incoterms of the International Chamber of Commerce must be referred to, according to the test existing when the general supply conditions are agreed on.

Management of orders

No Customer's order is binding to Hydrocontrol s.p.a. if Hydrocontrol s.p.a. has not confirmed the order in writing. Hydrocontrol s.p.a. commits to supplying the orders in compliance with the order confirmation that has been issued. Any disagreement with the content of the order confirmation must be communicated in writing to Hydrocontrol s.p.a. within and no later than 5 days from the delivery of the order confirmation. The Customer commits to paying for the goods supplied by Hydrocontrol s.p.a., according to the prices indicated on the order confirmation.

Payment conditions

The Parties agree on the payment terms at the beginning of the supply. The terms will be indicated on the order confirmation. Should the Customer be late with the payments, Hydrocontrol S.p.a. will be entitled to require the payment of interests on arrears based on the exiting Prime Rate increased by 2%. Should there be any payment delay, Hydrocontrol s.p.a. will be entitled not to process the Customer's purchase order, even if it has already been confirmed.

Delivery and shipment

The goods are always supplied Ex Works, even when Hydrocontrol s.p.a. agrees with the Customer that the shipment, or a part of it, will be arranged by Hydrocontrol s.p.a. It is agreed that the Customer will bear the risk of goods deterioration or damaging from the moment the goods are handed by Hydrocontrol s.p.a. to the first carrier.

Product characteristics

Hydrocontrol s.p.a. commits to supplying good quality products, compliant with the technical specifications declared on the technical tables and on the catalogue. Hydrocontrol s.p.a, even without notice, at its own discretion, reserves the right to modify the products as necessary, without these changes altering the main characteristics of the products.

Claims

Any claims about defects on delivered products (just as an example: claims about the packaging, the number, the quantity or the external product characteristics) will have to be notified to Hydrocontrol s.p.a. in writing, within and no later than 7 days from reception of the goods, otherwise the claims will be considered as null and void. Occult defects (the defects of the goods that cannot be spotted with a careful control of the goods received by the Customer), will have to be notified in writing to Hydrocontrol s.p.a. within 7 days from the discovery of the defect, and anyhow no later than 12 months from the delivery of the goods, otherwise the claim will be considered as null and void. Even in case of claim or objection, the Customer will never be entitled to suspend or delay the payments to Hydrocontrol s.p.a. for the products subject to claim or objection nor for any other supply.



GENERAL CONDITIONS AND PATENTS

Warranty

Should the products supplied by Hydrocontrol not be compliant or have the required quality and should this defect be due to Hydrocontrol, Hydrocontrol s.p.a. commits, at its choice, to replace or repair the faulty products, as long as the defect or lack of compliance is notified to Hydrocontrol s.p.a. in writing, as specified at point 6, within and no later than 18 months from product delivery. On the products that have been fixed or replaced in accordance with what specified above, the above-mentioned warranty applies. The 12 month duration starts from the date of repair or replacement. In case of defects, lack of quality or in case of lack of compliance for the supplied products, with the exception of fraud or serious offence, Hydrocontrol s.p.a. only commits to repairing or replacing the faulty products, according to what specified above. This warranty replaces any other Supplier's warranty or liability established by the law. This warranty excludes any other liability contractual or extra-contractual by Hydrocontrol s.p.a. on the products supplied by Hydrocontrol (as a mere example: damage refund, loss of profit, product recall campaign, etc). Hydrocontrol s.p.a. has signed a product civil liability police, with a suitable maximum coverage.

Ownership retention

The products supplied by Hydrocontrol s.p.a. will be owned by the latter until Hydrocontrol receives the complete payment for the supplied goods.

Obligation confidentiality

Hydrocontrol s.p.a. commits to not disclosing the technical and commercial information it receives from the Customer, unless this information has already been publicly disclosed.

Patents

The Customer is not allowed to use the provided Products, or a part of them, their descriptions or drawings protected or not protected by Patent or registered trademark in order to design or make similar products, unless Hydrocontrol s.p.a. previously issues its written authorization. Should Hydrocontrol s.p.a. give its written authorization, all patents, trademarks, registered designs, copyrights and intellectual property rights related or connected to the Products provided by Hydrocontrol s.p.a. will stay Hydrocontrol's property. The Customer commits to respecting the highest confidentiality.

Applicable law and court of jurisdiction

Hydrocontrol s.p.a.'s supplies are regulated by these General Supply Conditions and, for anything not defined here, by the Italian law. Any controversy related, generated or connected to the supply of Products by Hydrocontrol s.p.a., where Hydrocontrol s.p.a. is involved, will be exclusively dealt with by the Court of Bologna.

Walvoil nel mondo - Walvoil worldwide

Sede principale, Filiali e Uffici di rappresentanza
Headquarters, Subsidiaries and Representative Offices

Walvoil S.p.A. - Sede principale - Headquarters

Via Adige, 13/D . 42124 Reggio Emilia . Italy
TEL. +39 0522 932411 . info@walvoil.com -
www.walvoil.com

Business Unit Hydrocontrol

Via Natale Salieri, 6 . 40024
Castel S. Pietro Terme . Bologna . Italy
TEL. +39 051 6959411

Galtech Site

Via Portella della Ginestra, 10 . 42025 Cavriago
Zona Industriale Corte Tegge . Reggio Emilia . Italy
TEL. +39 0522 932411

AUSTRALASIA . *AUSTRALASIA*

Walvoil Fluid Power Australasia Pty Ltd

13 Vanessa Way . Delahey VIC 3037 . Melbourne . Australia
TEL. +61 458 918 750 . australasia@walvoil.com

BRASILE . *BRAZIL*

Interpump Hydraulics Brasil Ltda - Walvoil Division

Gilberto de Zorzi, 525 . Forqueta Caxias do Sul (RS)
TEL. +55 54 3223 2373 . infobrasil@walvoil.com

CANADA . *CANADA*

Galtech Canada Inc.

3100, Jacob Jordan . Terrebonne . Qc J6X 4J6 . Canada
TEL. +1 450 477 1076 Ext:225 . info@galtechcanada.com

CINA . *CHINA*

Walvoil Fluid Power (Dongguan) Co. Ltd

1st Floor, the Third Factory Area, Sijia, Shijie Town, Dongguan City, Guangdong province, China.
TEL. +86 769 81816189-8020 . FAX. +86 769 81816589
info@walvoil.com.cn

COREA DEL SUD . *SOUTH KOREA*

Walvoil Fluid Power Korea Ltd.

80-15, Oseongsandan 1Ro,
Oseong-Myun, Pyungtaek, Kyungki .
Korea 451-872 . TEL. +82 31 682 6030
info@walvoil.co.kr

FRANCIA . *FRANCE*

Walvoil Fluid Power France

362 rue de Bretagne . Vritz . 44540 Vallons-de-l'Erdre
TEL. +33 2 41 94 41 06 . france@walvoil.com

INDIA . *INDIA*

Walvoil Fluid Power (India) PVT. LTD.

No. 19, 2nd Cross, 2nd Main, KIADB Industrial Area, Attibele,
Anekal Taluk, Bangalore - 562107
TEL. +91 80 0614 24000 . info@walvoil.co.in

U.S.A. . *U.S.A.*

Walvoil Fluid Power Corp.

4111 North Garnett Tulsa, OK 74116, USA
TEL. +1 918 858 7100 . info@walvoilfluidpower.com

Walvoil Fluid Power Corp. Hydrocontrol Business Unit

1109, Technology Drive . Red Wing . MN 55066 . U.S.A.
TEL. +1 651 212 6400 . usa@hydrocontrol-inc.com

1st edition DVS20.00

www.walvoil.com



D1WHEB11E

